



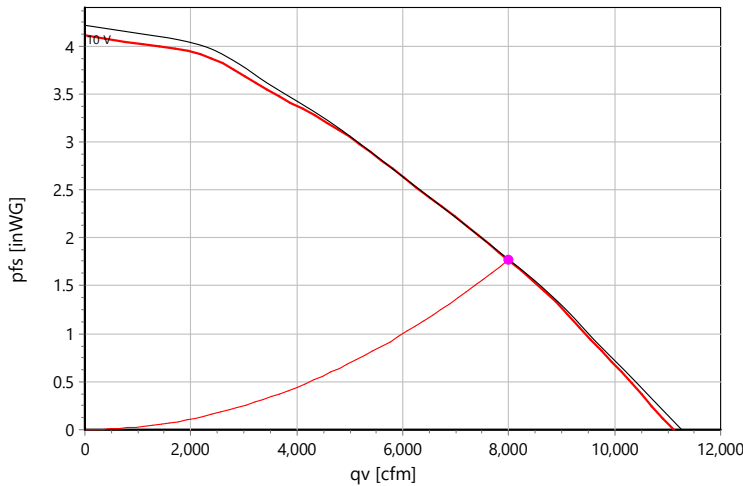
Plug Fan

Type: **GKHM 630-CIB.200.6NA IE Gen3**

Art.-No.: N88-63315



Curve:



p: 1.15 kg/m³; Data @ 230 V

Operating Point:

q _v	7987	cfm
p _{fs}	1.77	inWG
p _{fd}	0.2	inWG
η _{ed,fs}	55	%
η _{ed,tot}	60	%
P _{ed}	3.03	kW
I	8.04	A
n	1170	r/min
L _{wA A,OUT}	88	dB(A)
U _c	9.37	V
v	27.5	ft/s
SFP	804	Ws/m ³
FEI	1.35	
t _{R,OP}	41	°C

ErP-Data:

(EU) Nr. 327/2011	(Lot11)	
q _v	6697	cfm
p _{fs}	3.57	inWG
η _{ed,fs}	66.1	%
P _{ed}	4.47	kW
n	1330	r/min
N	70	
v	23.0	ft/s

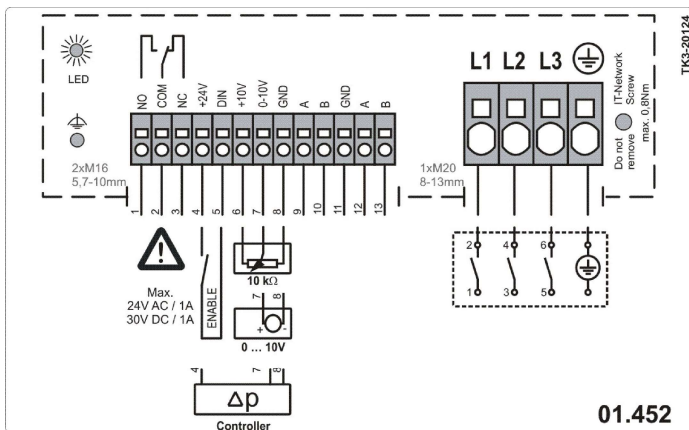
Nominal Data:

U [V]	f [Hz]	Data @ [V]	P _{ed} [kW]	I _N [A]	n _N [r/min]	t _R [°C]	k ₁₀ [m ² /h]	I _A / I _N	IP	m [kg]
3~200-240	50/60	230	3.05	8.1	1160	40	316	-	IP 54	75

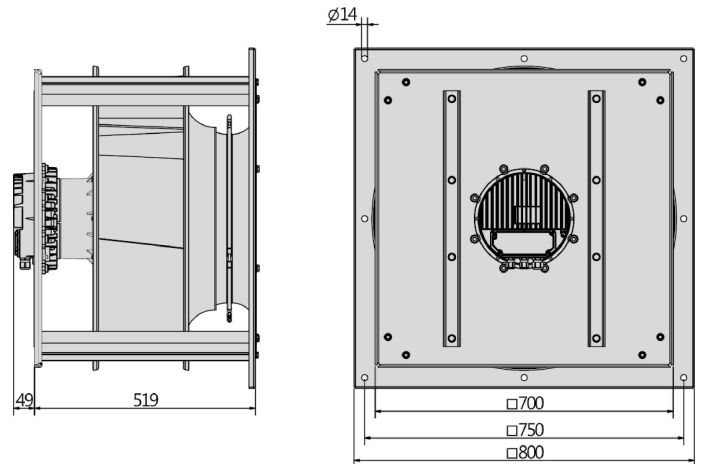
Sound Data:

Frequency	Σ	63Hz	125Hz	250Hz	500Hz	1kHz	2kHz	4kHz	8kHz	Distances	1 m	4 m
L _{wA(A,in)} [dB(A)]	81	46	70	72	73	75	74	71	60	L _{pA(A,in)} [dB(A)]	74	63
L _{wA(A,out)} [dB(A)]	88	56	77	79	81	83	81	77	66	L _{pA(A,out)} [dB(A)]	81	70

Wiring Diagram:



Drawing:



Data @ 208V: 2,6 kW; 7,6 A; 1100 1/min