

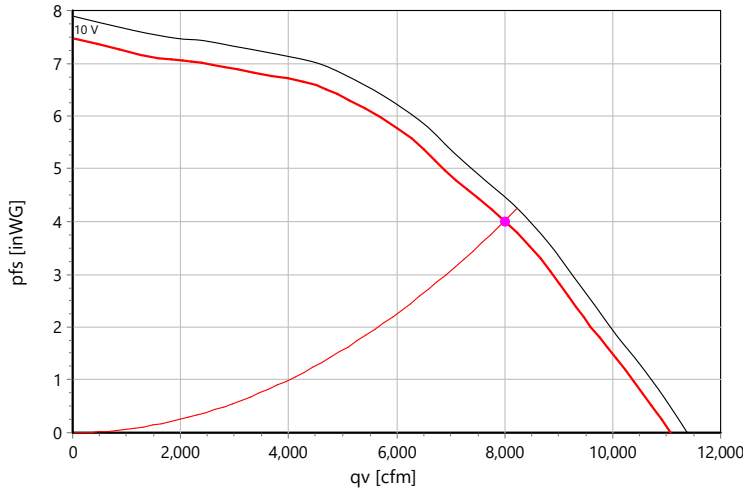


Type: **GKHM 560-CIG.160.6NA IE Gen3+**

Art.-No.: N88-56604



Curve:



p: 1.15 kg/m³; Data @ 400 V

Operating Point:

q _v	8000	cfm
p _{fs}	4	inWG
p _{fd}	0.4	inWG
η _{ed,fs}	63	%
η _{ed,tot}	68	%
P _{ed}	5.99	kW
I	9.3	A
n	2066	r/min
L _W A _{A,OUT}	94	dB(A)
U _c	9.3	V
v	38.5	ft/s
SFP	1588	Ws/m ³
FEI	1.4	
t _{R,OP}	47	°C

ErP-Data:

(EU) Nr. 327/2011	(Lot11)	
q _v	6357	cfm
p _{fs}	5.98	inWG
η _{ed,fs}	68.6	%
P _{ed}	6.86	kW
n	2125	r/min
N	70	
v	30.6	ft/s

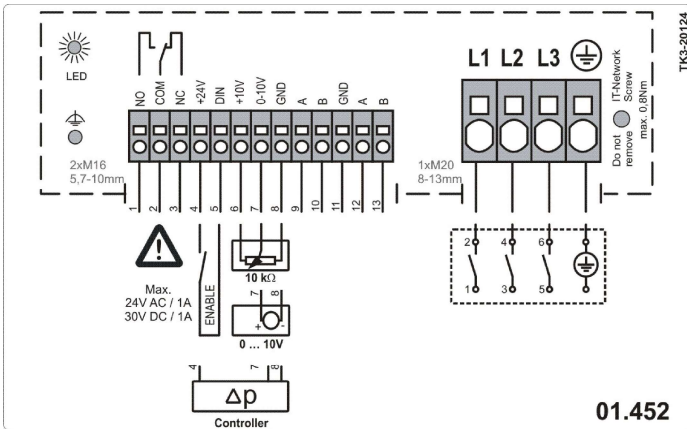
Nominal Data:

U [V]	f [Hz]	Data @ [V]	P _{ed} [kW]	I _N [A]	n _N [r/min]	t _R [°C]	k ₁₀ [m ² /h]	Eff.-Rating	IP	m [kg]
3~380-480	50/60	400	6.85	10.7	2125	-25 .. +40	234	IE4	IP54	72.5

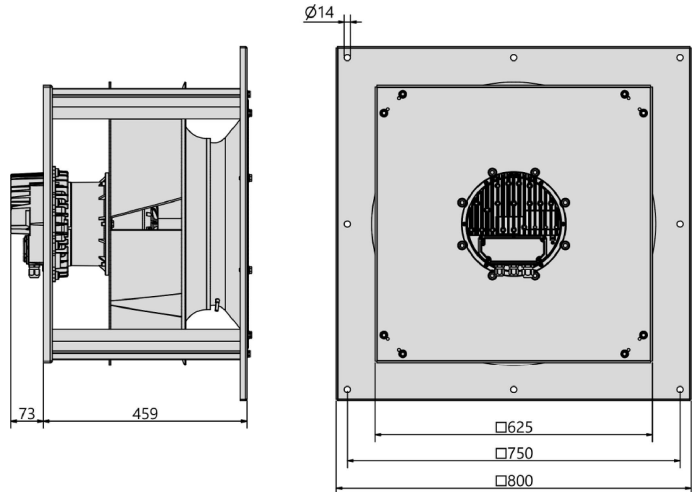
Sound Data:

Frequency	Σ	63Hz	125Hz	250Hz	500Hz	1kHz	2kHz	4kHz	8kHz	Distances	1 m	4 m
L _w A(A,in) [dB(A)]	89	54	70	85	84	79	78	77	74	L _p A(A,in) [dB(A)]	82	71
L _w A(A,out) [dB(A)]	94	59	77	88	88	89	84	80	77	L _p A(A,out) [dB(A)]	87	76

Wiring Diagram:



drawing:



Data @ 460V: 6,85 kW; 9,35 A; 2125 1/min