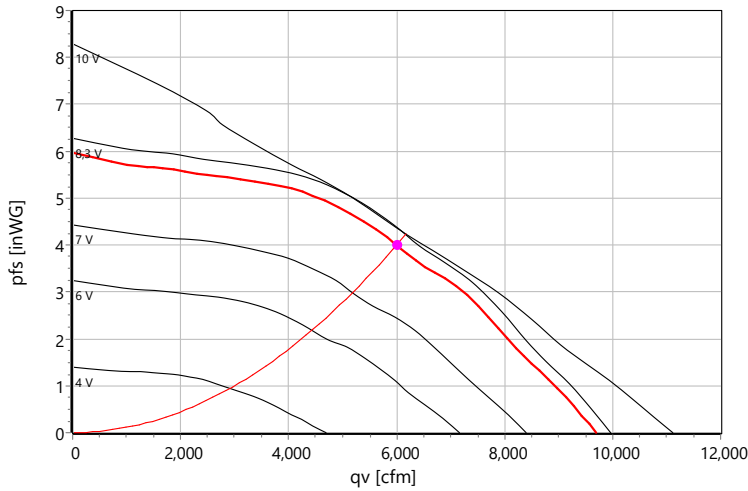


Type: **GKHM 560-CIG.160.6NA IE Gen3+**

Part no.: N88-56604



Curve:



p: 1.21 kg/m³; Data @ 230 V

Operating Point:

q _v	6000	cfm
p _{fs}	4	inWG
p _{fd}	0.2	inWG
η _{ed,fs}	64	%
η _{ed,tot}	67	%
P _{ed}	4.42	kW
I	12	A
n	1799	r/min
L _{W A A,OUT}	88	dB(A)
U _c	8.1	V
v	28.8	ft/s
SFP	1562	Ws/m ³
FEI	1.4	
t _{R,OP}	52	°C

ErP-Data:

(EU) Nr. 327/2011	(Lot11)	
q _v	6357	cfm
p _{fs}	5.98	inWG
η _{fs}	68.6	%
P _{ed}	6.86	kW
n	2125	r/min
N	70	

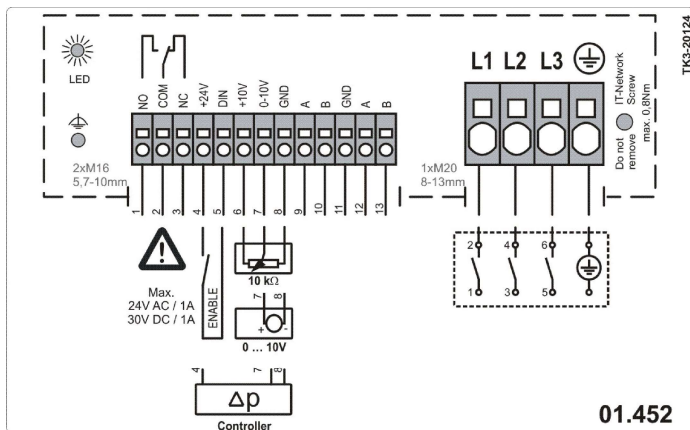
Nominal Data:

U [V]	f [Hz]	Data @ [V]	P _{ed} [kW]	I _N [A]	n _N [r/min]	t _R [°C]	k ₁₀ [m ² /h]	Eff.-Rating	IP	m [kg]
3~200-240	50/60	230	4.57	12.2	1850	-25 .. +50	234	IE4	IP 54	72.5

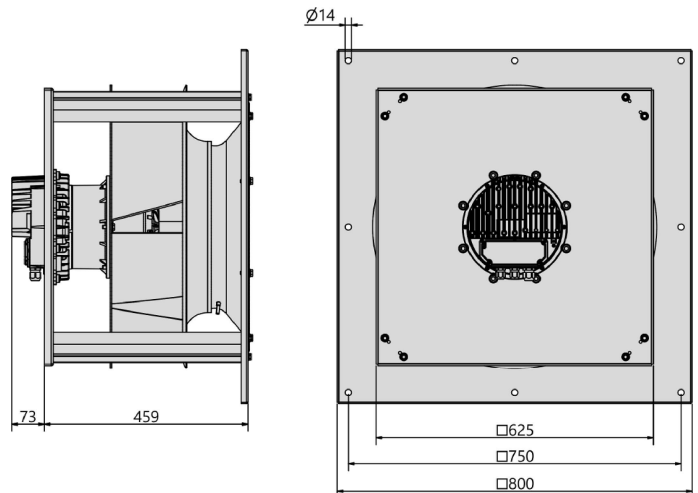
Sound Data:

Frequency	Σ	63Hz	125Hz	250Hz	500Hz	1kHz	2kHz	4kHz	8kHz	Distances	1 m	4 m
L _{wA(A,in)} [dB(A)]	83	48	64	79	78	73	72	71	68	L _{pA(A,in)} [dB(A)]	76	65
L _{wA(A,out)} [dB(A)]	88	53	71	82	82	83	78	74	71	L _{pA(A,out)} [dB(A)]	81	70

Wiring Diagram:



drawing:



Data @ 208V: 3.85 kW; 11,2 A; 1745 1/min