

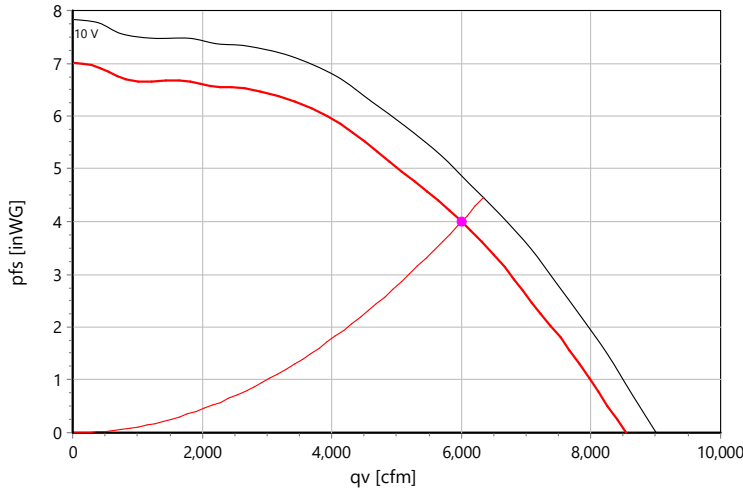


Type: **GKHM 500-CIG.143.6IF IE Gen3+**

Art.-No.: N88-50604



Curve:



p: 1.15 kg/m³; Data @ 400 V

Operating Point:

q _v	6000	cfm
p _{fs}	4	inWG
p _{fd}	0.3	inWG
η _{ed,fs}	64	%
η _{ed,tot}	69	%
P _{ed}	4.41	kW
I	6.7	A
n	2240	r/min
L _W A _{A,OUT}	92	dB(A)
U _c	9	V
v	36.3	ft/s
SFP	1558	Ws/m ³
FEI	1.4	
t _{R,OP}	51	°C

ErP-Data:

(EU) Nr. 327/2011	(Lot11)	
q _v	5866	cfm
p _{fs}	5.04	inWG
η _{ed,fs}	68.3	%
P _{ed}	5.35	kW
n	2370	r/min
N	71	
v	35.5	ft/s

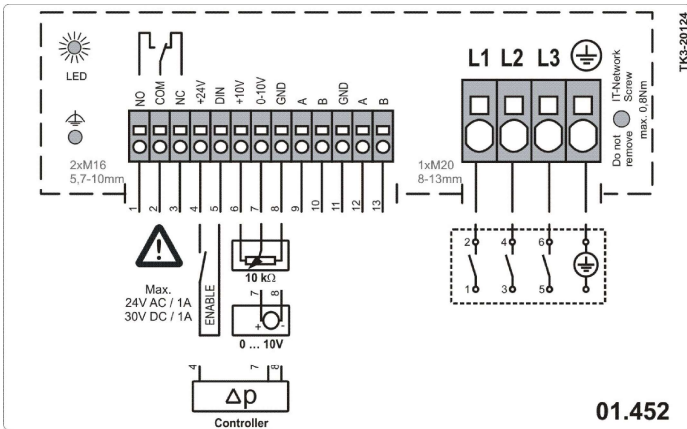
Nominal Data:

U [V]	f [Hz]	Data @ [V]	P _{ed} [kW]	I _N [A]	n _N [r/min]	t _R [°C]	k ₁₀ [m ² /h]	Eff.-Rating	IP	m [kg]
3~380-480	50/60	400	5.4	8.3	2370	-25 .. +40	186	IE4	IP54	57

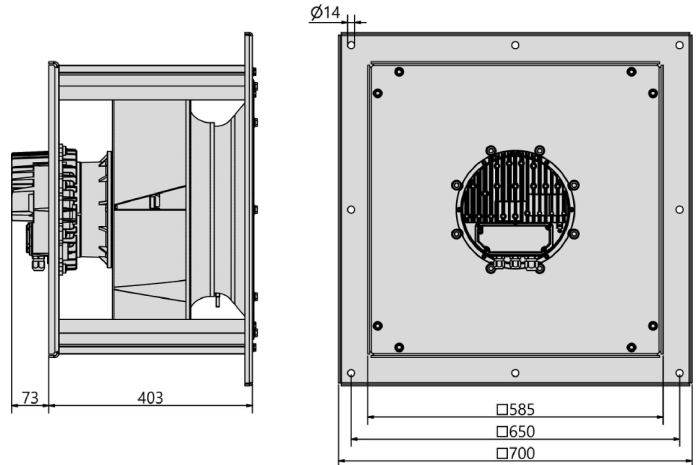
Sound Data:

Frequency	Σ	63Hz	125Hz	250Hz	500Hz	1kHz	2kHz	4kHz	8kHz	Distances	1 m	4 m
L _w A(A,in) [dB(A)]	87	51	65	79	81	80	80	79	71	L _p A(A,in) [dB(A)]	80	69
L _w A(A,out) [dB(A)]	92	58	70	84	86	86	85	82	77	L _p A(A,out) [dB(A)]	85	74

Wiring Diagram:



drawing:



Data @ 460V: 5.4 kW; 7.4 A; 2370 1/min