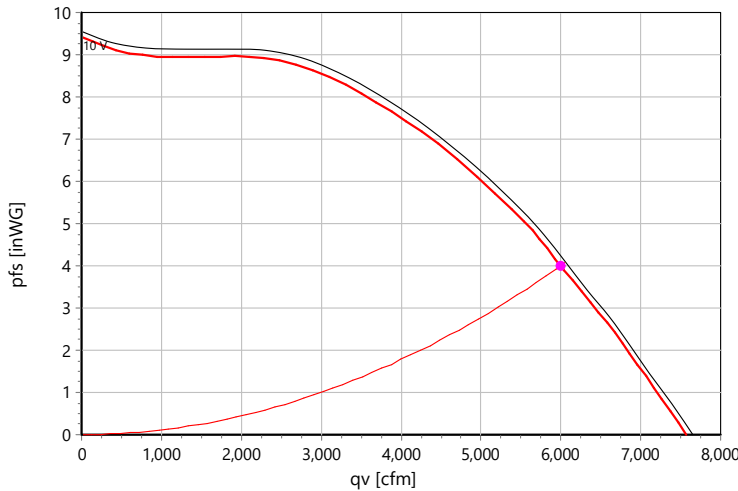




Type: **GKHM 450-CIG.128.6IF IE Gen3+**
Art.-No.: N88-45604



Curve:



p: 1.15 kg/m³; Data @ 400 V

Operating Point:

q _v	6000	cfm
p _{fs}	4	inWG
p _{fd}	0.5	inWG
η _{ed,fs}	54	%
η _{ed,tot}	60	%
P _{ed}	5.23	kW
I	8	A
n	2921	r/min
L _{WA A,out}	97	dB(A)
U _c	9.5	V
v	45.3	ft/s
SFP	1850	Ws/m ³
FEI	1.2	
t _{R,OP}	47	°C

ErP-Data:

(EU) Nr. 327/2011	(Lot11)	
q _v	4624	cfm
p _{fs}	6.85	inWG
η _{ed,fs}	66.7	%
P _{ed}	5.89	kW
n	2950	r/min
N	69	
v	34.9	ft/s

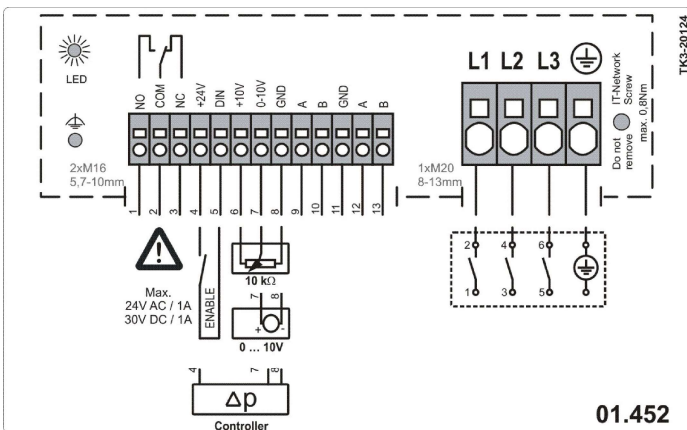
Nominal Data:

U [V]	f [Hz]	Data @ [V]	P _{ed} [kW]	I _N [A]	n _N [r/min]	t _R [°C]	k ₁₀ [m ² /h]	Eff.-Rating	IP	m [kg]
3~380-480	50/60	400	5.9	9.05	2950	-25 .. +40	146	IE4	IP54	47

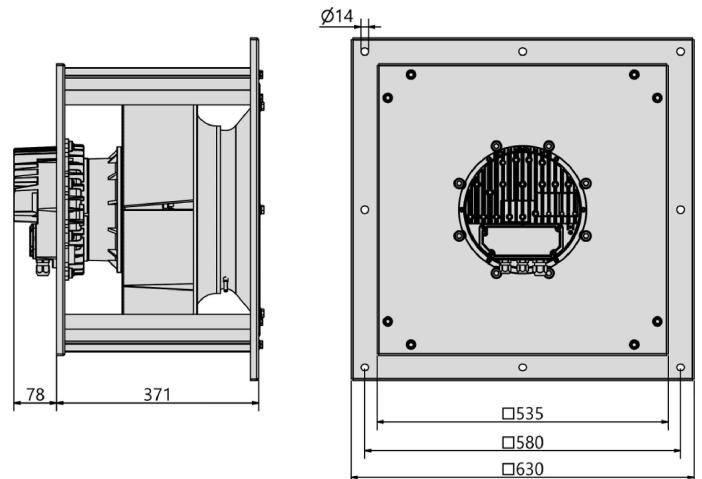
Sound Data:

Frequency	Σ	63Hz	125Hz	250Hz	500Hz	1kHz	2kHz	4kHz	8kHz	Distances	1 m	4 m
L _{wA(A,in)} [dB(A)]	92	58	69	86	86	84	84	83	79	L _{pA(A,in)} [dB(A)]	85	74
L _{wA(A,out)} [dB(A)]	97	65	73	90	91	91	90	85	82	L _{pA(A,out)} [dB(A)]	90	79

Wiring Diagram:



drawing:



Data @ 460V: 5.9 kW; 8.0 A; 2950 1/min