



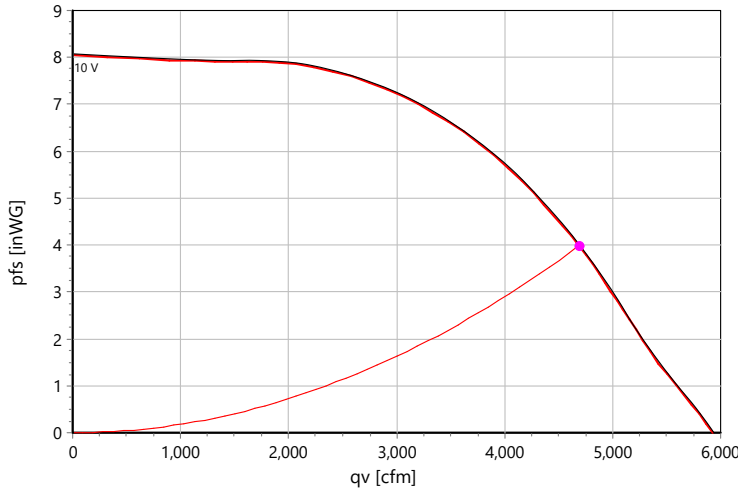
Plug Fan

Type: **GKHM 400-CIB.125.6FF IE Gen3**

Art.-No.: N88-40327



**Curve:**



p: 1.15 kg/m<sup>3</sup>; Data @ 400 V

**Operating Point:**

q <sub>v</sub>	4691	cfm
p <sub>fs</sub>	3.98	inWG
p <sub>fd</sub>	0.4	inWG
η <sub>ed,fs</sub>	54	%
η <sub>ed,tot</sub>	59	%
P <sub>ed</sub>	4.11	kW
I	6.39	A
n	2885	r/min
L <sub>wA A,OUT</sub>	98	dB(A)
U <sub>c</sub>	9.5	V
v	40.6	ft/s
SFP	1856	Ws/m <sup>3</sup>
FEI	1.20	
t <sub>R,OP</sub>	45	°C

**ErP-Data:**

(EU) Nr. 327/2011	(Lot11)	
q <sub>v</sub>	3458	cfm
p <sub>fs</sub>	6.68	inWG
η <sub>ed,fs</sub>	64.6	%
P <sub>ed</sub>	4.46	kW
n	2890	r/min
N	68	
v	29.9	ft/s

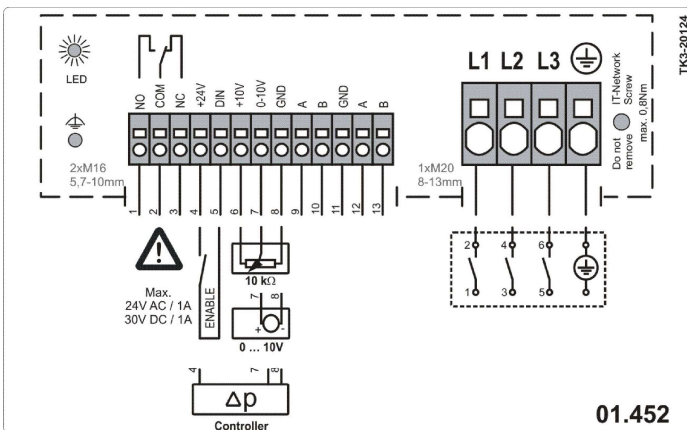
**Nominal Data:**

U [V]	f [Hz]	Data @ [V]	P <sub>ed</sub> [kW]	I <sub>N</sub> [A]	n <sub>N</sub> [r/min]	t <sub>R</sub> [°C]	k <sub>10</sub> [m <sup>2</sup> /h]	I <sub>A</sub> / I <sub>N</sub>	IP	m [kg]
3~380-480	50/60	400	4.5	6.95	2890	40	136	-	IP 54	34.5

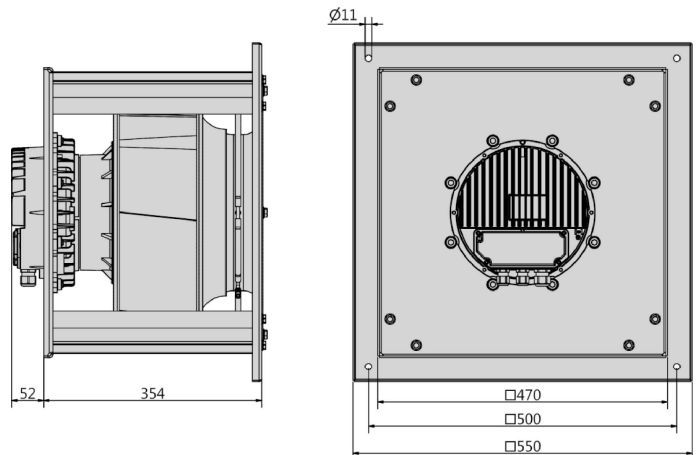
**Sound Data:**

Frequency	Σ	63Hz	125Hz	250Hz	500Hz	1kHz	2kHz	4kHz	8kHz	Distances	1 m	4 m
L <sub>wA(A,in)</sub> [dB(A)]	91	52	62	82	84	86	85	80	75	L <sub>pA(A,in)</sub> [dB(A)]	84	74
L <sub>wA(A,out)</sub> [dB(A)]	98	59	69	89	90	94	92	85	80	L <sub>pA(A,out)</sub> [dB(A)]	91	81

**Wiring Diagram:**



**Drawing:**



Data @ 460V: 4.5 kW; 6.05 A; 2890 1/min