



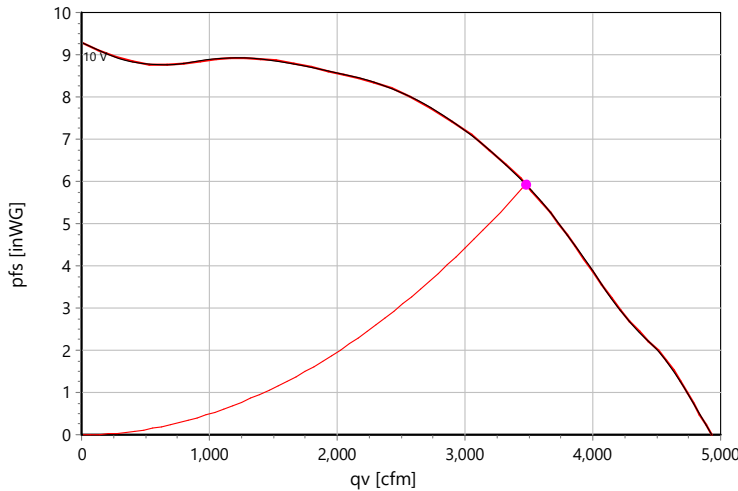
Plug Fan

Type: **GKHM 355-CIB.112.6FF IE Gen3**

Art.-No.: N88-35831



Curve:



p: 1.15 kg/m³; Data @ 400 V

Operating Point:

q _v	3477	cfm
p _{fs}	5.928	inWG
p _{fd}	0.4	inWG
η _{ed,fs}	56	%
η _{ed,tot}	59	%
P _{ed}	4.32	kW
I	6.7	A
n	3397	r/min
L _{WA A,OUT}	97	dB(A)
U _c	10	V
v	37.9	ft/s
SFP	2633	Ws/m ³
FEI	1.24	
t _{R,OP}	41	°C

ErP-Data:

(EU) Nr. 327/2011	(Lot11)	
q _v	2993	cfm
p _{fs}	7.23	inWG
η _{ed,fs}	61.5	%
P _{ed}	4.37	kW
n	3400	r/min
N	58	
v	32.6	ft/s

Set point:

q _v	3489	cfm
p _{fs}	5.97	inWG

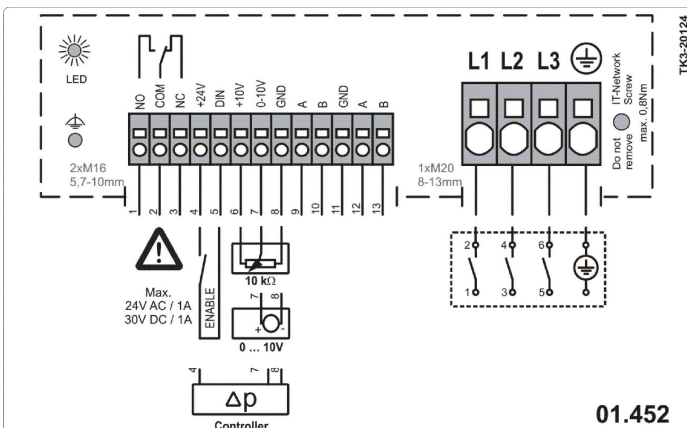
Nominal Data:

U [V]	f [Hz]	Data @ [V]	P _{ed} [kW]	I _N [A]	n _N [r/min]	t _R [°C]	k ₁₀ [m ² /h]	I _A / I _N	IP	m [kg]
3~380-480	50/60	400	4.37	6.8	3400	40	102	-	IP 54	27

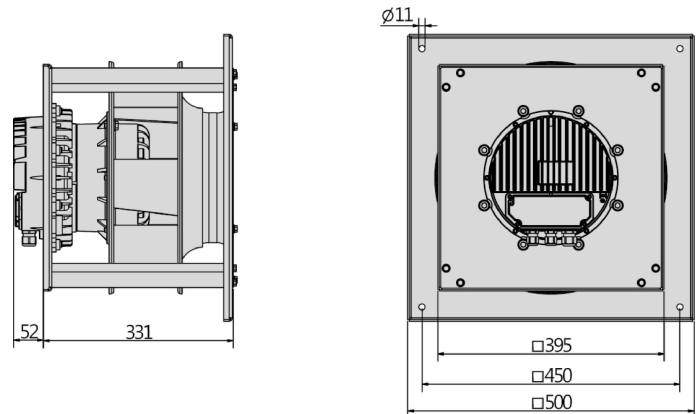
Sound Data:

Frequency	Σ	63Hz	125Hz	250Hz	500Hz	1kHz	2kHz	4kHz	8kHz	Distances	1 m	4 m
L _{WA(A,in)} [dB(A)]	90	51	61	81	83	85	84	79	74	L _{pA(A,in)} [dB(A)]	83	73
L _{WA(A,out)} [dB(A)]	97	58	68	88	89	93	91	84	79	L _{pA(A,out)} [dB(A)]	90	80

Wiring Diagram:



Drawing:



Data @ 460V: 4,37 kW; 5,9 A; 3400 1/min