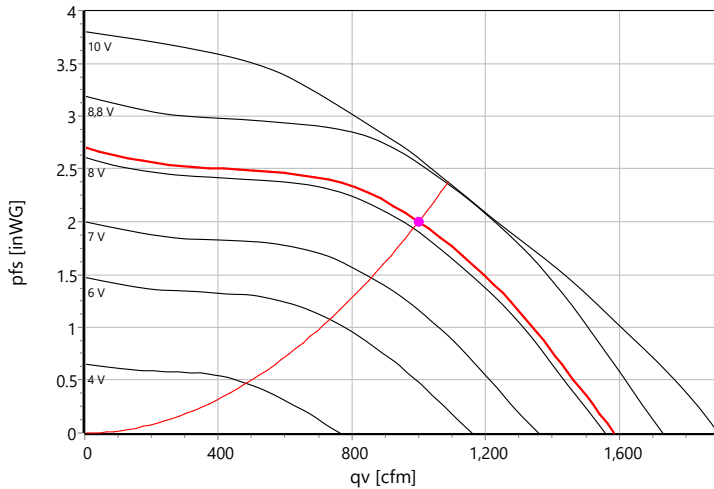




Type: **GKHM 280-CIE.065.4EA IE HP**
Part no.: N43-28001



Curve:



p: 1.15 kg/m³; Data @ 230 V

Operating Point:

| | | |
|-----------------------|-------|-------------------|
| q _v | 1000 | cfm |
| p _{fs} | 2 | inWG |
| p _{fd} | 0.2 | inWG |
| η _{ed,fs} | 57 | % |
| η _{ed,tot} | 61 | % |
| P _{ed} | 0.416 | kW |
| I | 1.8 | A |
| n | 2944 | r/min |
| L _{WA A,OUT} | 77 | dB(A) |
| U _c | 8.1 | V |
| v | 27.1 | ft/s |
| SFP | 883 | Ws/m ³ |
| FEI | 1.9 | |
| t _{R,OP} | 49 | °C |

ErP-Data:

| | | |
|-------------------|---------|-------|
| (EU) Nr. 327/2011 | (Lot11) | |
| q _v | 1021 | cfm |
| p _{fs} | 2.55 | inWG |
| η _{fs} | 63.7 | % |
| P _{ed} | 0.534 | kW |
| n | 3214 | r/min |
| N | 77 | |
| v | 27.6 | ft/s |

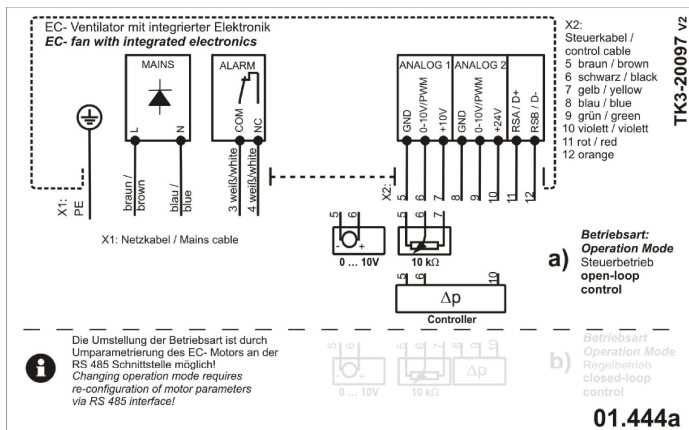
Nominal Data:

| U [V] | f [Hz] | Data @ [V] | P _{ed} [kW] | I _N [A] | n _N [r/min] | t _R [°C] | k ₁₀ [m ² /h] | Eff.-Rating | IP | m [kg] |
|-----------|--------|------------|----------------------|--------------------|------------------------|---------------------|-------------------------------------|-------------|-------|--------|
| 1~200-277 | 50/60 | 230 | 0.53 | 2.35 | 3200 | -25 .. +40 | 72 | IE4 | IP 54 | - |

Sound Data:

| Frequency | Σ | 63Hz | 125Hz | 250Hz | 500Hz | 1kHz | 2kHz | 4kHz | 8kHz | Distances | 1 m | 4 m |
|--------------------------------|----|------|-------|-------|-------|------|------|------|------|--------------------------------|-----|-----|
| L _{WA(A,in)} [dB(A)] | 72 | 39 | 46 | 61 | 67 | 66 | 66 | 60 | 57 | L _{pA(A,in)} [dB(A)] | 65 | 54 |
| L _{WA(A,out)} [dB(A)] | 77 | 45 | 52 | 66 | 72 | 71 | 71 | 66 | 60 | L _{pA(A,out)} [dB(A)] | 70 | 59 |

Wiring Diagram:



drawing:

