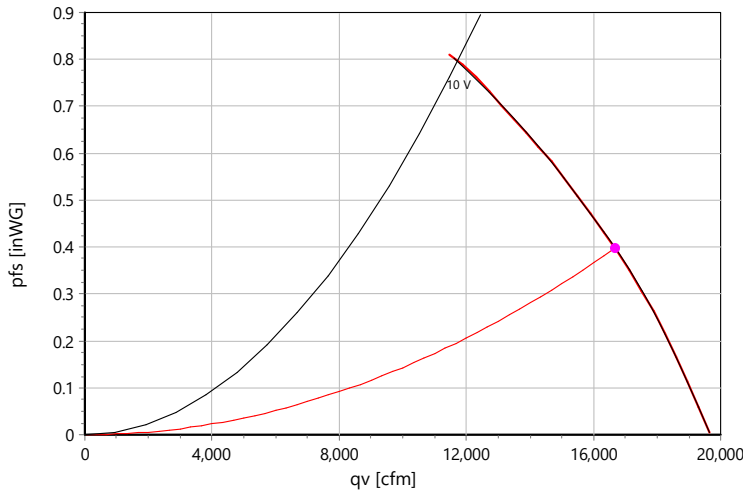




Axial Fan
Type: **AKFG 900 K.6NA A6 Gen3**
Art.-No.: E66-90665



Curve:



p: 1.21 kg/m³; Data @ 400 V

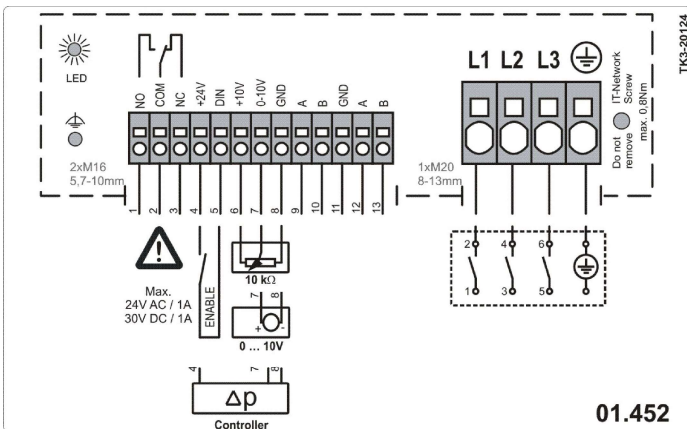
Nominal Data:

U [V]	f [Hz]	Data @ [V]	P _{ed} [kW]	I _N [A]	n _N [r/min]	t _R [°C]	k ₁₀ [m ² /h]	Eff.-Rating	IP	m [kg]
3~380-480	50/60	400	2.67	4.1	850	60	-	IE5	IP 54	59

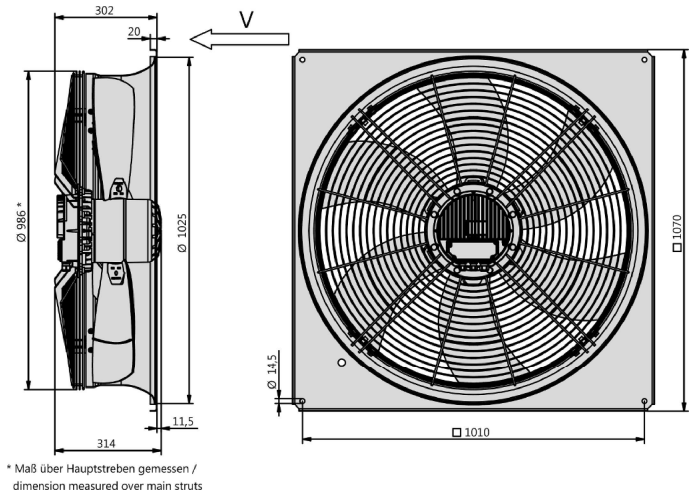
Sound Data:

Frequency	Σ	125Hz	250Hz	500Hz	1kHz	2kHz	4kHz	8kHz	Distances	1 m	4 m
LwA(A,in) [dB(A)]	85	67	71	77	81	80	73	65	LpA(A,in) [dB(A)]	78	67

Wiring Diagram:



Drawing:



Data @ 460V: 2,67 kW; 3,6 A; 850 1/min