



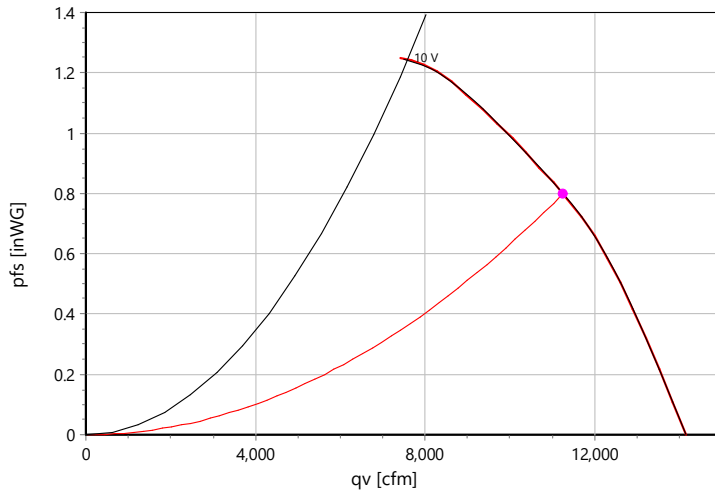
Axial Fan

Type: **AKFG 710 K.6IF A6 Gen3**

Art.-No.: E66-71664 (White Shroud)  
E66-71667 (Black Shroud)



**Curve:**



p: 1.21 kg/m<sup>3</sup>; Data @ 400 V

**Operating Point:**

q <sub>v</sub>	11256	cfm
p <sub>fs</sub>	0.8	inWG
p <sub>fd</sub>	0.5	inWG
η <sub>ed,fs</sub>	36	%
η <sub>ed,tot</sub>	56	%
P <sub>ed</sub>	2.96	kW
I	4.4	A
n	1325	r/min
L <sub>WA A,IN</sub>	85	dB(A)
U <sub>c</sub>	10	V
v	43.9	ft/s
SFP	557	Ws/m <sup>3</sup>
FEI	1.1	
t <sub>R,OP</sub>	60	°C

**ErP-Data:**

(EU) Nr. 327/2011	(Lot11)	
q <sub>v</sub>	8445	cfm
p <sub>fs</sub>	1.13	inWG
η <sub>ed,fs</sub>	43.2	%
P <sub>ed</sub>	2.74	kW
n	1280	r/min
N	47	
v	32.9	ft/s

**Set point:**

q <sub>v</sub>	11258	cfm
p <sub>fs</sub>	0.799	inWG

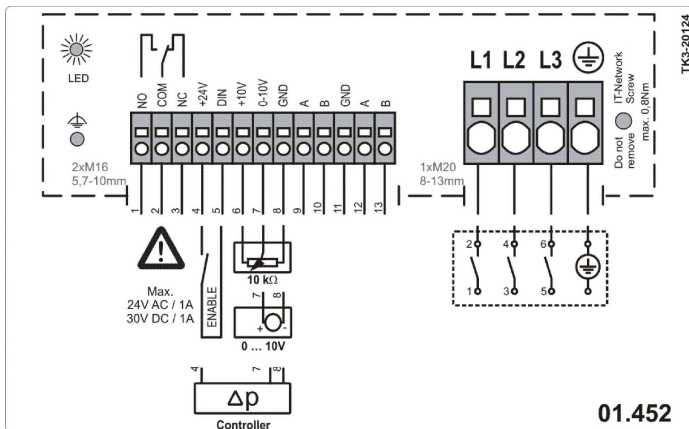
**Nominal Data:**

U [V]	f [Hz]	Data @ [V]	P <sub>ed</sub> [kW]	I <sub>N</sub> [A]	n <sub>N</sub> [r/min]	t <sub>R</sub> [°C]	k <sub>10</sub> [m <sup>2</sup> /h]	Eff.-Rating	IP	m [kg]
3~380-480	50/60	400	2.82	4.35	1320	60	-	IE5	IP 54	40

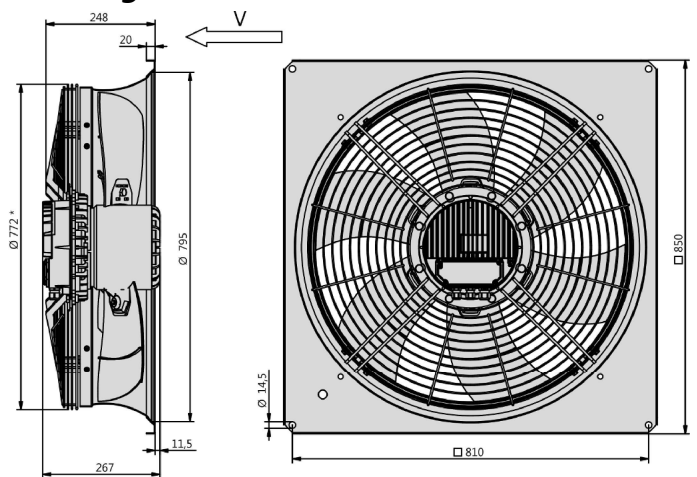
**Sound Data:**

Frequency	Σ	125Hz	250Hz	500Hz	1kHz	2kHz	4kHz	8kHz	Distances	1 m	4 m
L <sub>WA(A,in)</sub> [dB(A)]	85	65	72	78	80	80	75	65	L <sub>pA(A,in)</sub> [dB(A)]	78	67

**Wiring Diagram:**



**Drawing:**



\* Maß über Hauptstreben gemessen / dimension measured over main struts

Data @ 460V: 2,82 kW; 3,78 A; 1320 1/min