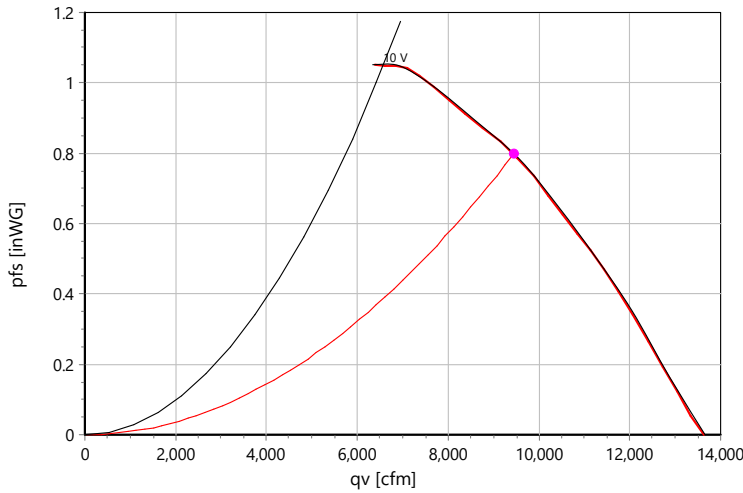




Axial Fan  
Type: **AKFG 710 K.6IF A6 Gen3**  
Art.-No.: E66-71664



**Curve:**



p: 1.21 kg/m<sup>3</sup>; Data @ 230 V

**Operating Point:**

q <sub>v</sub>	9437	cfm
p <sub>fs</sub>	0.798	inWG
p <sub>fd</sub>	0.4	inWG
η <sub>ed,fs</sub>	40	%
η <sub>ed,tot</sub>	55	%
P <sub>ed</sub>	2.24	kW
I	5.8	A
n	1195	r/min
L <sub>WA A,IN</sub>	83	dB(A)
U <sub>c</sub>	9.6	V
v	36.8	ft/s
SFP	505	Ws/m <sup>3</sup>
FEI	1.2	
t <sub>R,OP</sub>	60	°C

**ErP-Data:**

(EU) Nr. 327/2011	(Lot11)	
q <sub>v</sub>	8445	cfm
p <sub>fs</sub>	1.13	inWG
η <sub>ed,fs</sub>	43.2	%
P <sub>ed</sub>	2.74	kW
n	1280	r/min
N	47	
v	32.9	ft/s

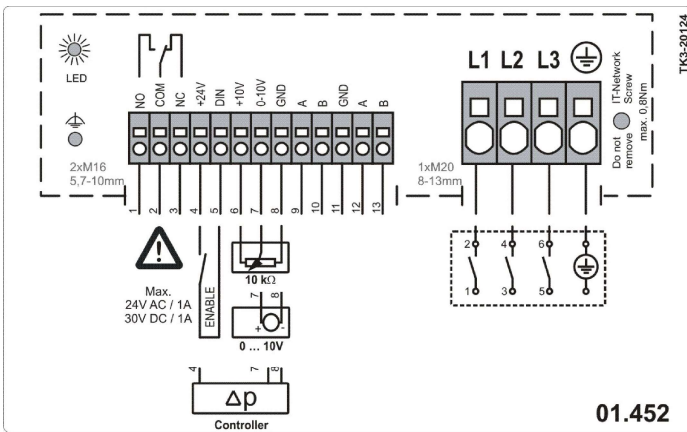
**Nominal Data:**

U [V]	f [Hz]	Data @ [V]	P <sub>ed</sub> [kW]	I <sub>N</sub> [A]	n <sub>N</sub> [r/min]	t <sub>R</sub> [°C]	k <sub>10</sub> [m <sup>2</sup> /h]	Eff.-Rating	IP	m [kg]
3~200-240	50/60	230	2.14	5.7	1200	60	-	IE5	IP 54	40

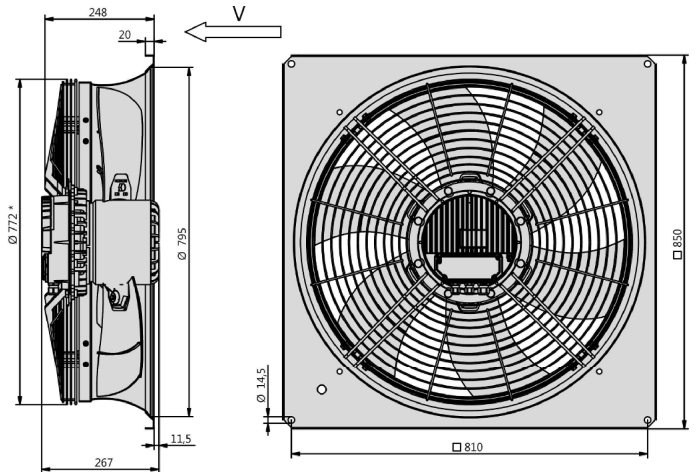
**Sound Data:**

Frequency	Σ	125Hz	250Hz	500Hz	1kHz	2kHz	4kHz	8kHz	Distances	1 m	4 m
L <sub>WA(A,in)</sub> [dB(A)]	83	63	70	76	78	78	73	63	L <sub>pA(A,in)</sub> [dB(A)]	76	65

**Wiring Diagram:**



**Drawing:**



\* Maß über Hauptstreben gemessen / dimension measured over main struts

Data @ 208V: 2,82 kW; 1,89 A; 1110 1/min