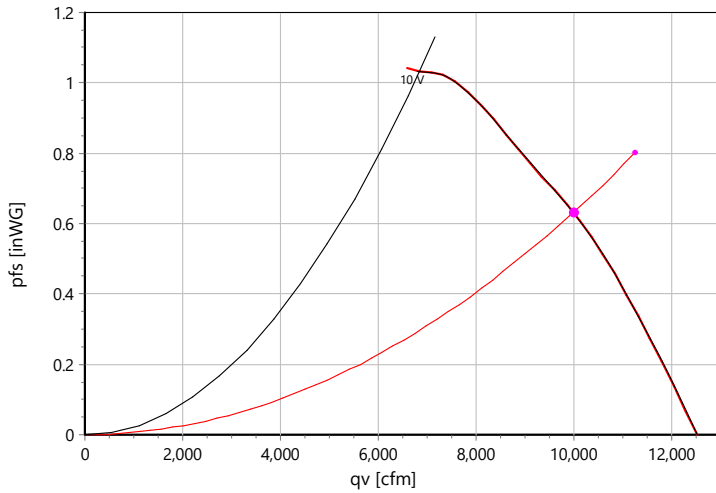




Axial Fan
Type: **AKFG 710 K.6FF A6 Gen3**
Art.-No.: E66-71665



Curve:



p: 1.21 kg/m³; Data @ 400 V

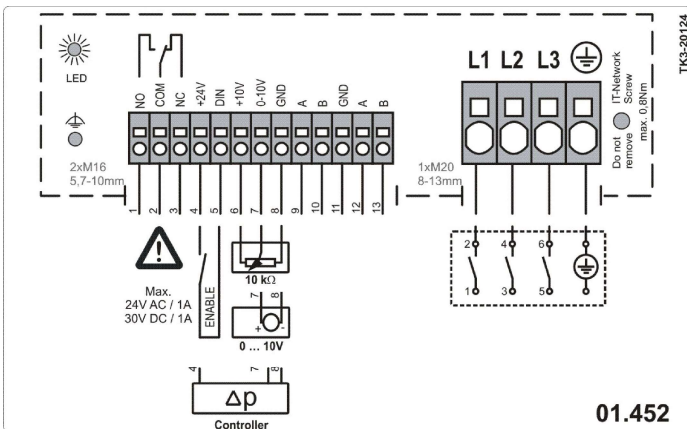
Nominal Data:

U [V]	f [Hz]	Data @ [V]	P _{ed} [kW]	I _N [A]	n _N [r/min]	t _R [°C]	k ₁₀ [m ² /h]	Eff.-Rating	IP	m [kg]
3~380-480	50/60	400	2.3	3.5	1165	60	-	IE5	IP 54	35

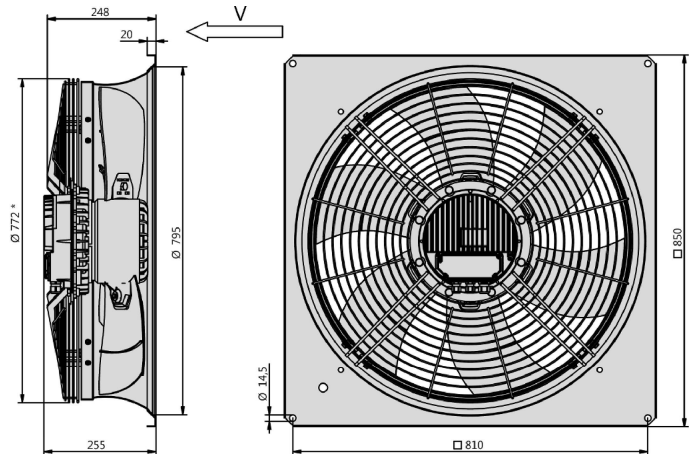
Sound Data:

Frequency	Σ	125Hz	250Hz	500Hz	1kHz	2kHz	4kHz	8kHz	Distances	1 m	4 m
LwA(A,in) [dB(A)]	82	62	69	75	77	77	72	62	LpA(A,in) [dB(A)]	75	64

Wiring Diagram:



Drawing:



* Maß über Hauptstreben gemessen / dimension measured over main struts

Data @ 460V: 2,3 kW; 3,1 A; 1165 1/min