

4RREu35 280x80R

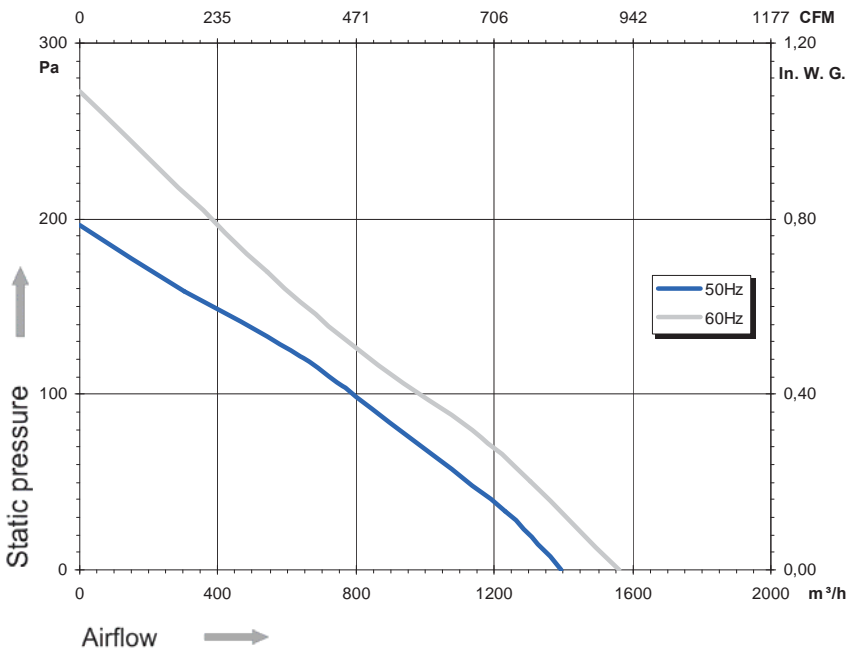
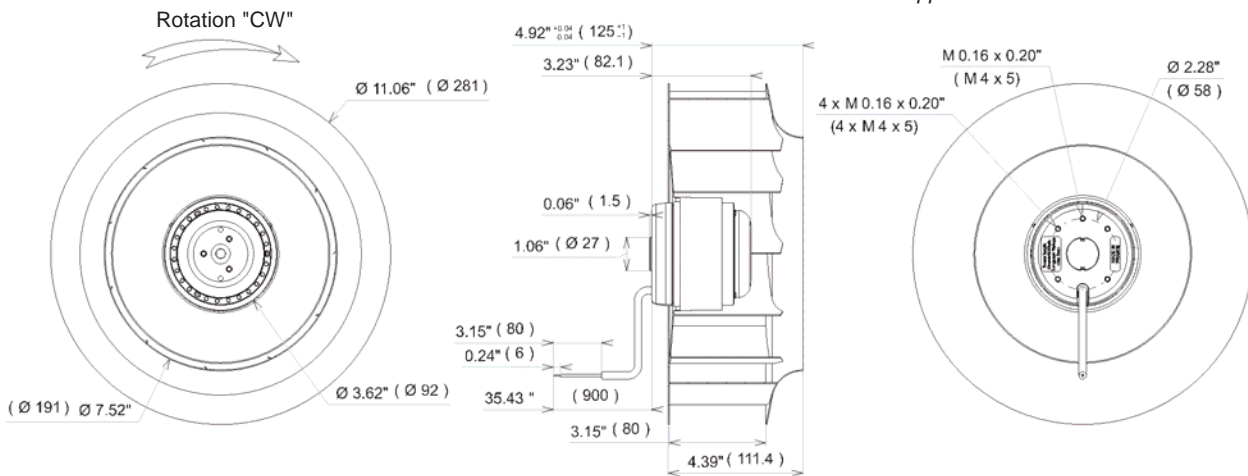
P/N Y06-08

Voltage	Frequency	Input power	Current	Capacitor	Airflow	Speed rotation	Noise level	Rotation direction	Operating temperature	ErP 2013	ErP 2015
V	Hz	Wa	A	µF	m³/h	RPM	dBA	↻	Min / Max	NA	NA
230	50	81	0,38	2,5	1 390	1 335	62	R	-40°C / +70°C	NA	NA
230	60	94	0,41	2,5	1 563	1 535	65	R	-40°C / +60°C		
230	50				818 CFM				-40°F / +158°F		
230	50				919 CFM				-40°F / +140°F		



dBa : free let out

NA : Not Applicable



- Weight : 2,9 Kg

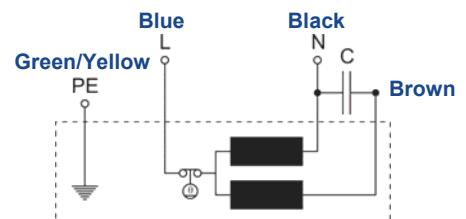
- Ball bearing
- Class F, thermally protected
- IP44 protection depending on installation and position as per EN60034-5
- G2.5 balancing
- Rotor : black paint
- Galvanized steel impeller
- UL approved motor



UL2111 (XEW2,8)
N°File E135223
4RS935



Capacitor for 50Hz	Capacitor for 60Hz	Inlet cone
19218	19218	16168



Non contractual document. All specifications are subject to change without prior notice. Picture for information only.