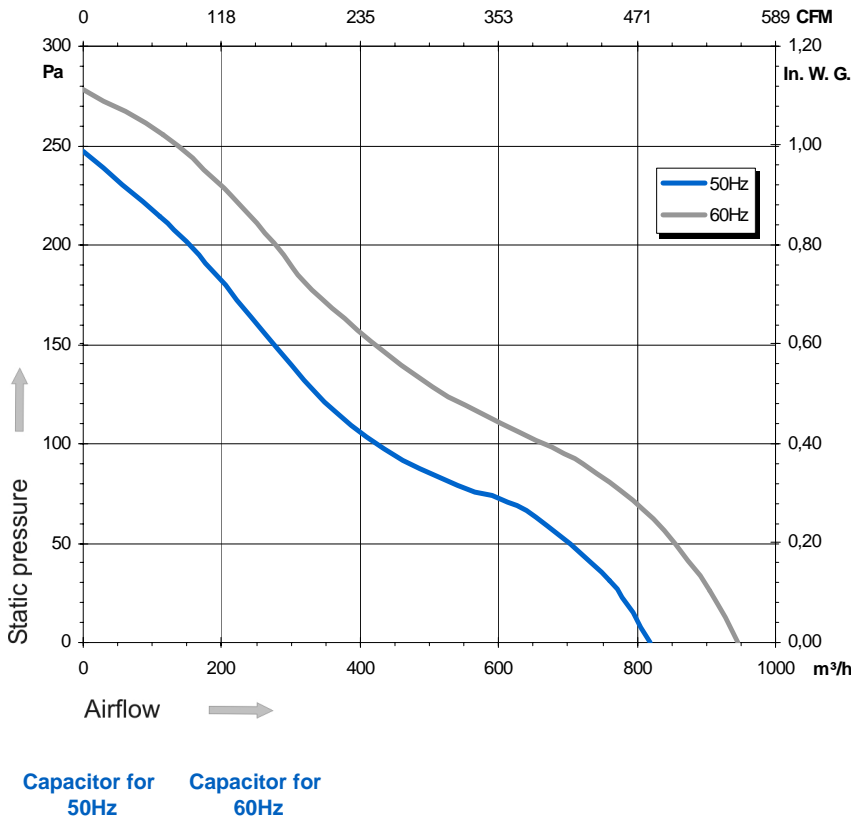
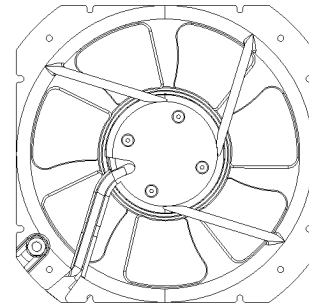
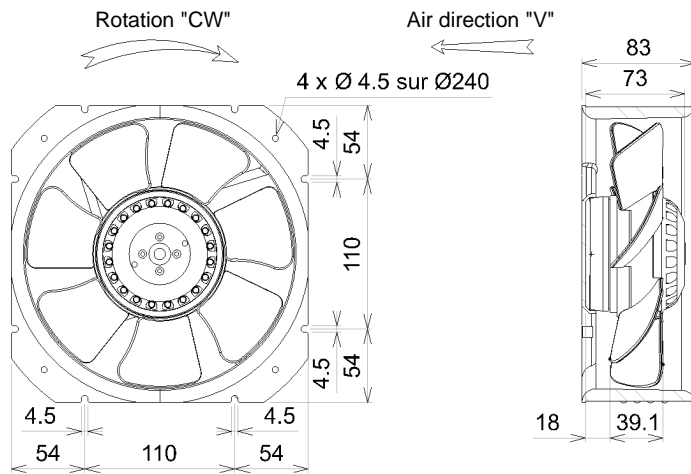
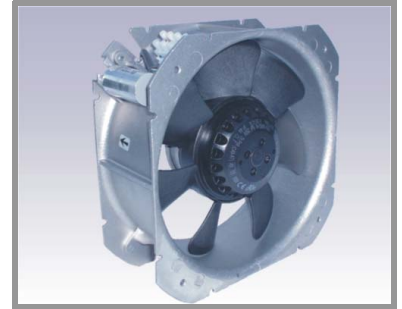


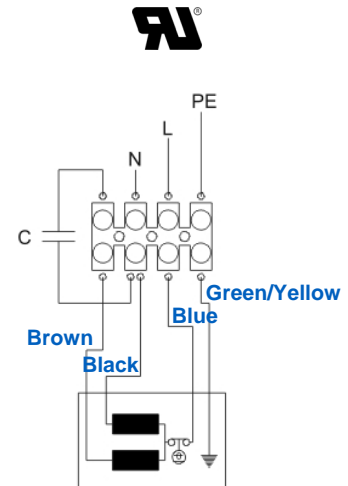
Ind. b - Revision : 09-2004

2VGCu25 200V P/N C49-A7

Voltage	Frequency	Input power	Current	Capacitor	Airflow	Speed rotation	Noise level	Rotation direction	Operating temperature
V	Hz	Wa	A	µF	m³/h	RPM	dBA	↻	Min / Max
115	50	55	0,50	6,0	820	2 830	67	R	-40°C / +70°C
115	60	77	0,67	6,0	945	3 260	70	R	-40°C / +70°C



- Ball bearing
- Class F, thermally protected
- IP44 protection
- G6.3 balancing
- Plastic impeller
- Rotor : black paint
- Aluminium ring
- Capacitor fixed on the ring and wired to a connexion block
- UL approved motor



Non contractual document. All specifications are subject to change without prior notice. Picture for information only.