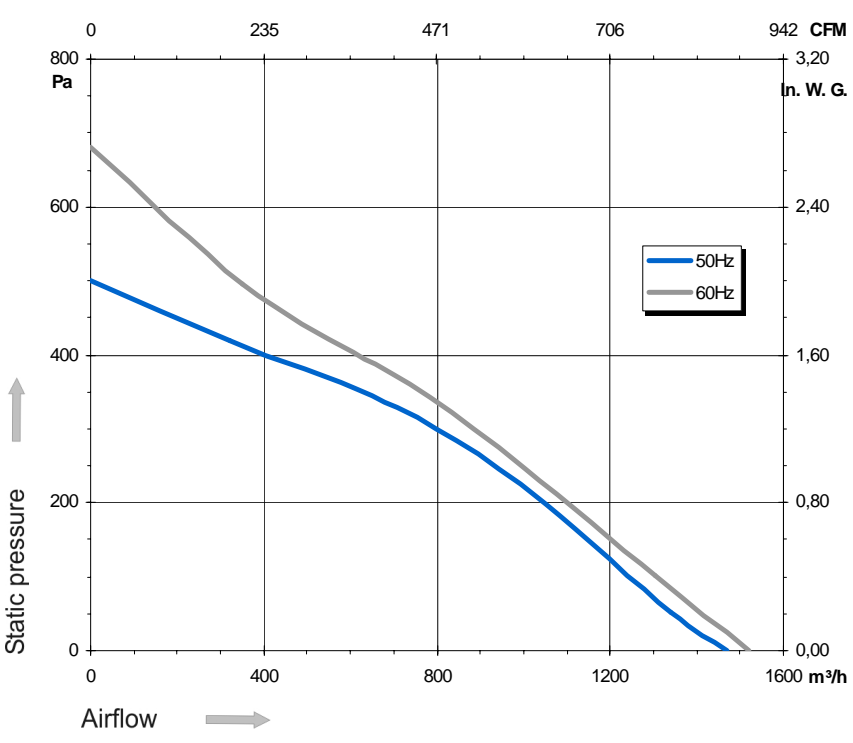
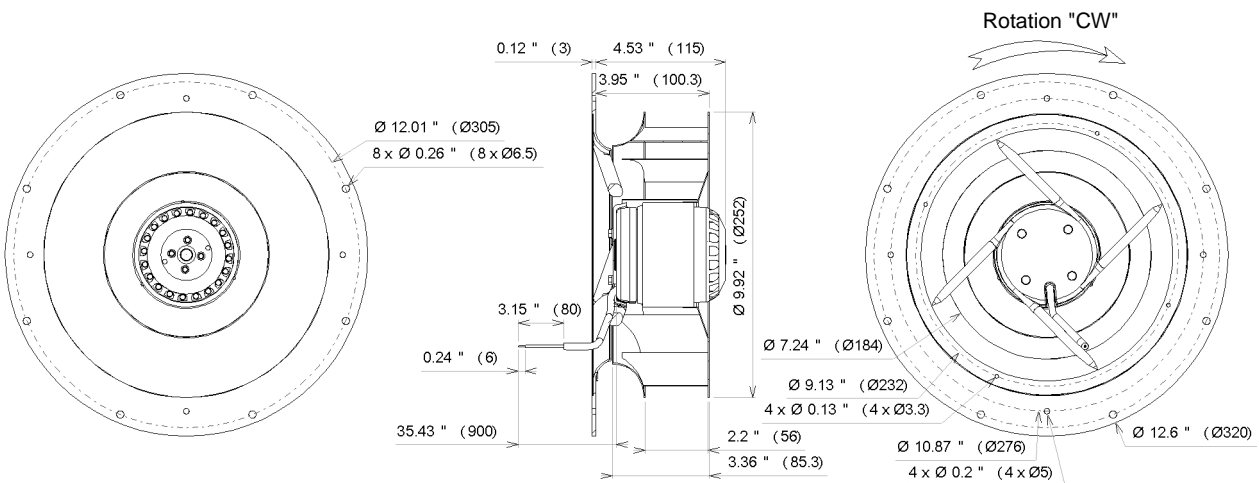
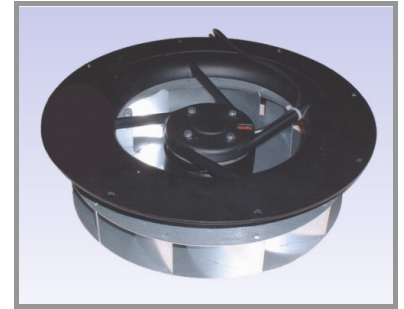


Ind. c - Revision : 11-2007

2RREu45 250x56R P/N C45-A8

Voltage	Frequency	Input power	Current	Capacitor	Airflow	Speed rotation	Noise level	Rotation direction	Operating temperature
V	Hz	Wa	A	µF	m³/h	RPM	dBA	↻	Min / Max
115	50	233	2,03	30,0	1 470	2 500	72	R	-40°C / +70°C
115	60	318	2,77	30,0	1 520	2 610	73	R	-40°C / +70°C
115	50				865 CFM				-40°F / +158°F
115	60				894 CFM				-40°F / +158°F

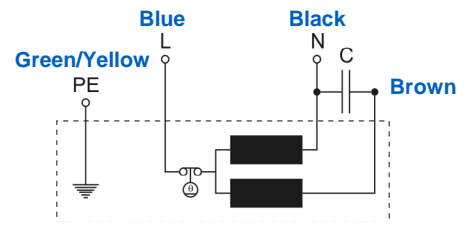


- Weight : 3,5 Kg
- Ball bearing
- Class F winding
- IP44 protection
- G2.5 balancing
- Galvanized steel impeller
- Rotor : black paint
- Black painted aluminium reversed-inletcone
- UL approved motor

UL2111 (XEW2,8)
N° File E135223
2RS945



Capacitor for 50Hz	Capacitor for 60Hz	Finger guard
19256	19256	21360



Non contractual document. All specifications are subject to change without prior notice. Picture for information only.