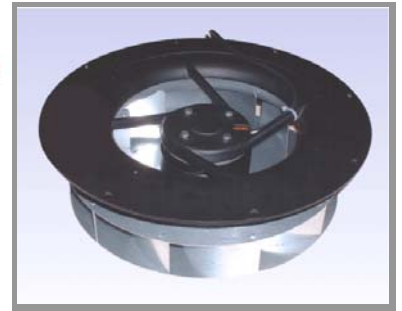
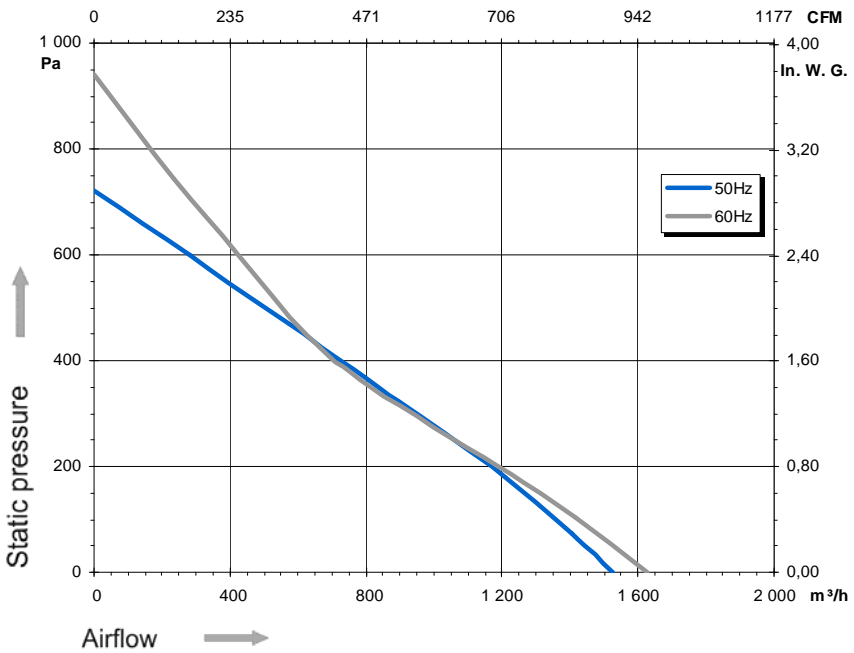
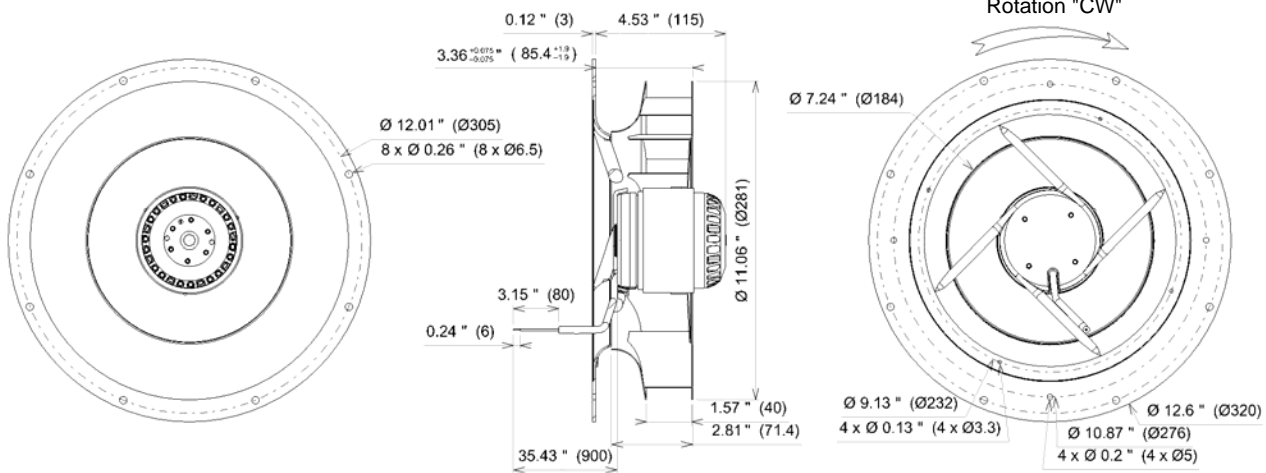


## 2RREu45 280x40R P/N C36-B7

Voltage	Frequency	Input power	Current	Capacitor	Airflow	Speed rotation	Noise level	Rotation direction	Operating temperature	ErP 2013	ErP 2015
V	Hz	Wa	A	µF	m³/h	RPM	dBa	↻	Min / Max		
230	50	210	0,92	7,0	1 525	2 580	77	R	-40°C / +70°C	NOK	NOK
230	60	297	1,30	7,0	1 625	2 760	79	R	-40°C / +70°C		
230	50				897 CFM				-40°F / +158°F		
230	50				956 CFM				-40°F / +158°F		



dBa : free let out



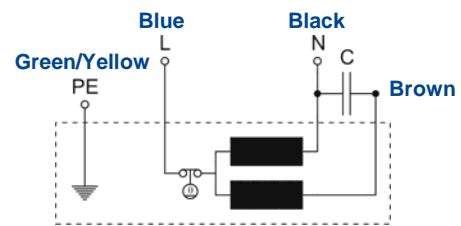
- Weight : 4,5 Kg
- Ball bearing
- Class F, thermally protected
- IP44 protection depending on installation and position as per EN60034-5
- G2.5 balancing
- Galvanized steel impeller
- Rotor : black paint
- Black painted aluminium reversed-inletcone
- UL approved motor



UL2111 (XEW2,8)  
N° File E135223  
2RS945



Capacitor for 50Hz	Capacitor for 60Hz	Finger guard
19227	19227	21360



Non contractual document. All specifications are subject to change without prior notice. Picture for information only.