

## RRE24 192x40R P/N C16-A7

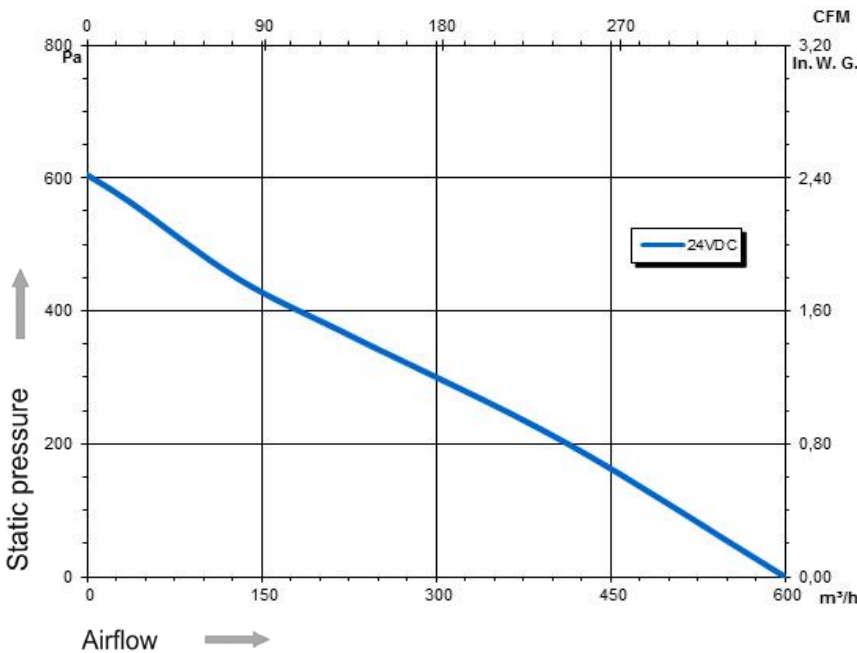
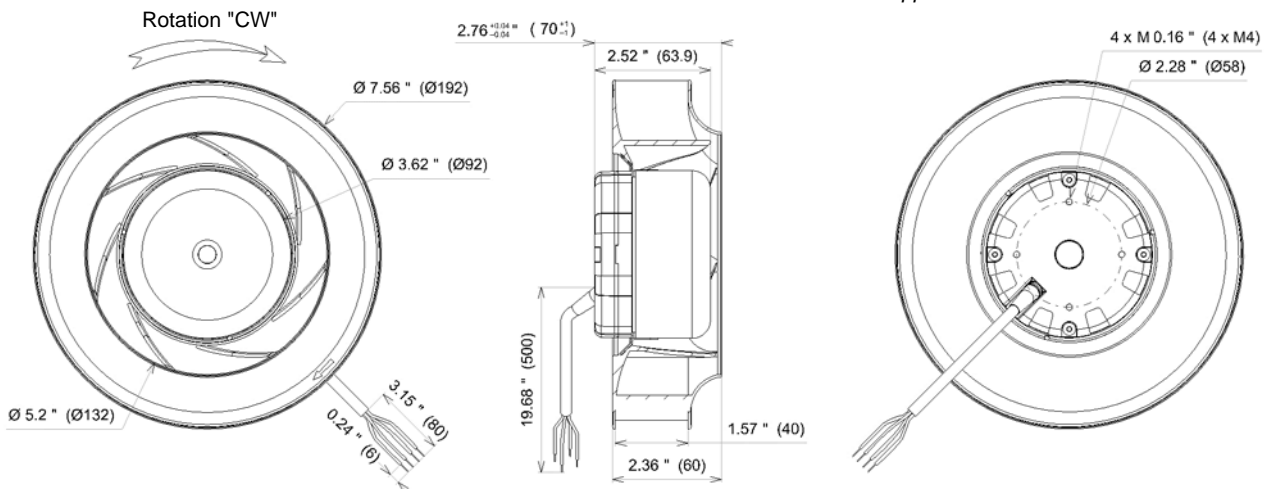
Substitute for Y43-11



Voltage	Frequency	Current	Airflow	Speed rotation	Noise level	Rotation direction	Operating temperature	ErP 2013	ErP 2015
V	Hz	A	m <sup>3</sup> /h	RPM	dBA	↻	Min / Max		
24	50	3,16	600	3 150	67	R	-20°C / +70°C	NA	NA
24			353 CFM				-4°F / +158°F		

dBa : free let out

NA : Not Applicable

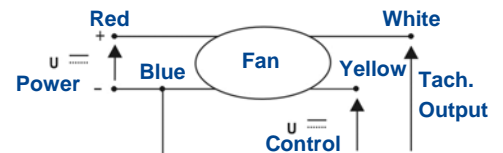


- Weight : 1,3 Kg
- Nominal voltage 24VDC (18-36VDC)
- Reverse polarity protection
- Soft start
- Locked rotor protection
- Tachometer output (open collector)
- Controlled by 0-10VDC or PWM signal
- IP44 protection depending on installation and position as per EN60034-5
- G2.5 balancing
- Rotor : black paint
- PP UL 94 V-0 plastic impeller
- Once the main power is switched on, 2 to 20 seconds are necessary for initialisation before fan rotation.



Finger guard    Inlet cone

21181    16043



Non contractual document. All specifications are subject to change without prior notice. Picture for information only.