

2VRE15 170V P/N B22-B1

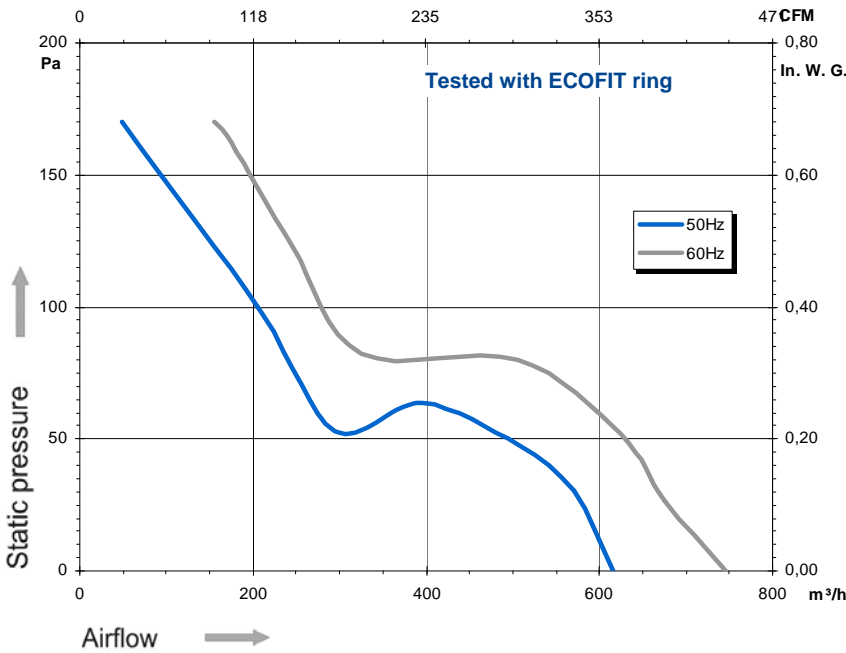
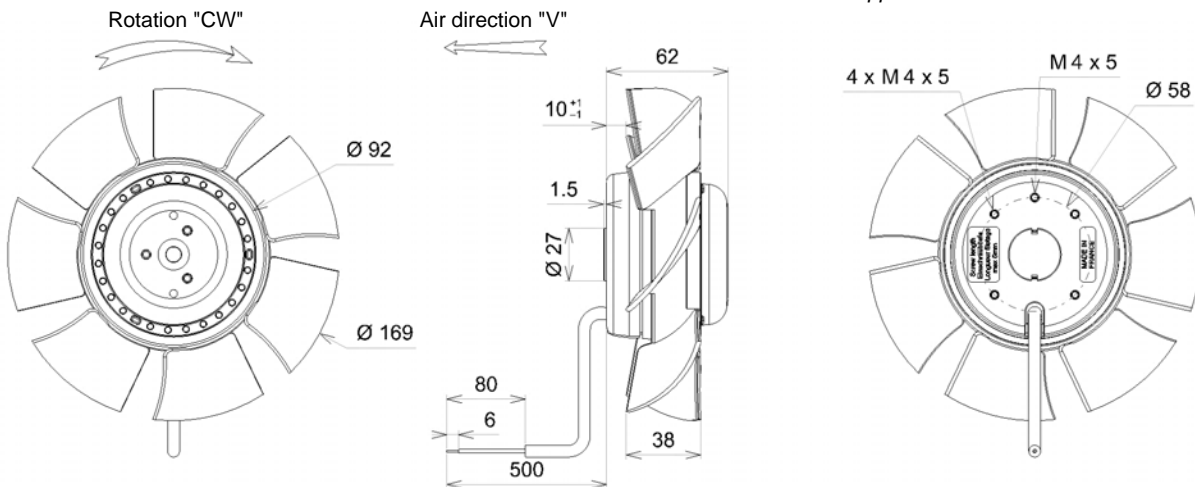
Substitute for V02-01

Voltage	Frequency	Input power	Current	Capacitor	Airflow	Speed rotation	Noise level	Rotation direction	Operating temperature	ErP 2013	ErP 2015
V	Hz	Wa	A	μF	m³/h	RPM	dBA	↻	Min / Max		
230	50	58	0,26	2,0	615	2 660	58	R	-20°C / +70°C	NA	NA
230	60	68	0,30	2,0	745	3 085	62	R	-20°C / +70°C		
230	50				361 CFM				-4°F / +158°F		
230	50				438 CFM				-4°F / +158°F		



dBa : free let out

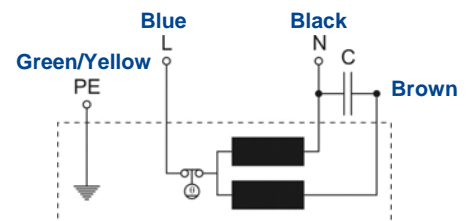
NA : Not Applicable



- Weight : 1,4 Kg
- Ball bearing
- Class F, thermally protected
- IP44 protection depending on installation and position as per EN60034-5
- G6.3 balancing
- Plastic impeller PA 6/6
- Rotor : black paint



Capacitor for 50Hz	Capacitor for 60Hz	Connecting box	Connector
19008	19008	39658	09172



Non contractual document. All specifications are subject to change without prior notice. Picture for information only.