



GDSuG9 146x188R

M22-A8-1



**DATA SHEET**

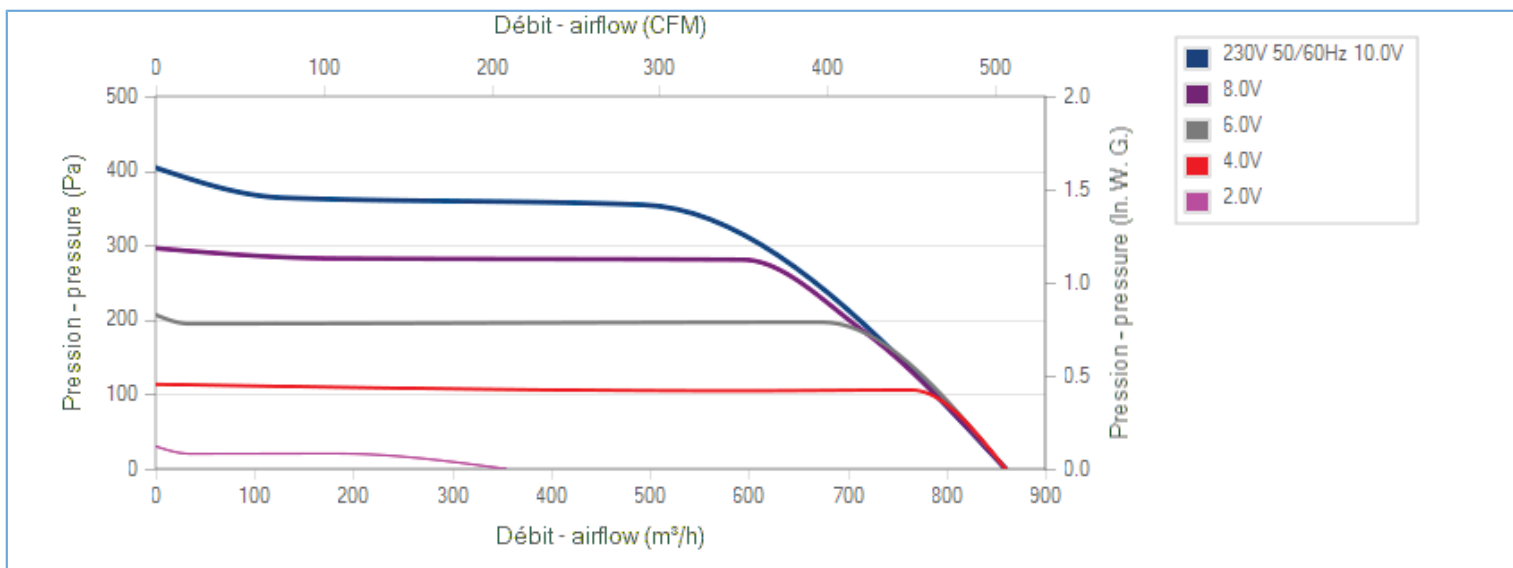
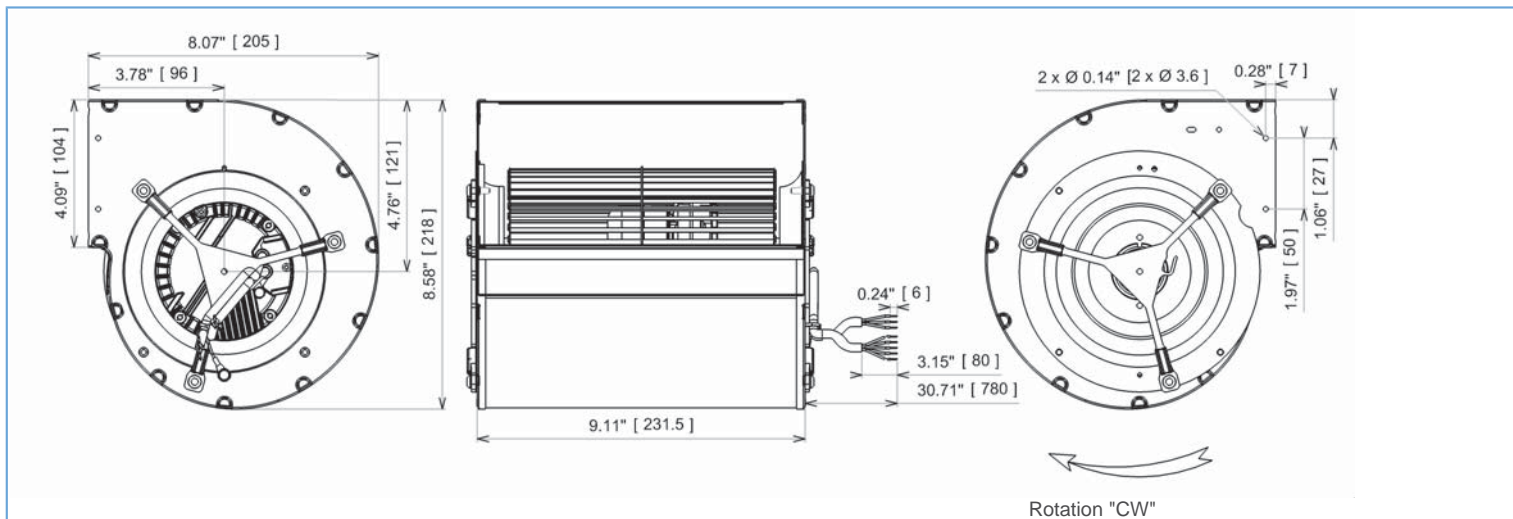
release. 0 - Revision 06-2014

Voltage	Frequency	Absorbed Power	Absorbed Current	Airflow	Rotation speed	Acoustic level	Rotation	Operational Temperature
V	Hz	W	A	m <sup>3</sup> /h	RPM	dBA		Min/Max
230	50/60	81	0,67	860	1215	58	R	-20°C / +50°C
230	50/60			506 CFM				-4°F / 122°F

dBA : free blowing

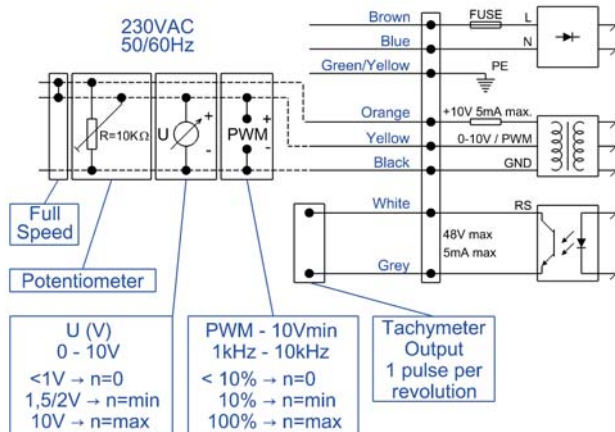
ErP 2013 **OK**

ErP 2015 **OK**



**Description**

- .Weight : 3,3 Kg
- .Ball bearing
- .Class F winding
- .IP4x may be IP44 after checking customer appliance
- .G2.5 balancing
- .Scroll housing : black paint
- .Galvanized steel impeller
- .UL approved motor





**DATA SHEET**

release. 0 - Revision 06-2014

**Data in accordance to ErP directive**

Voltage	230	V
Frequency	50	Hz
Power	0,140	kW <sup>(1)</sup>
Airflow	536	m <sup>3</sup> /h <sup>(1)</sup>
Pressure	341	Pa <sup>(1)</sup>
Rotation speed	2300	RPM <sup>(1)</sup>

(1) at optimal efficiency point

	Actual	Request 2013	Request 2015
Overall efficiency ( $\eta$ )	41,5	25,3	32,3
Efficiency grade	53	37	44
Installation category	A		
Efficiency category	static		
Variable speed drive	Yes		
Specific ratio	1,00		

Designed for regular application according ErP directive EU 2009/125/EC

**Accessories**

Finger guard 21338

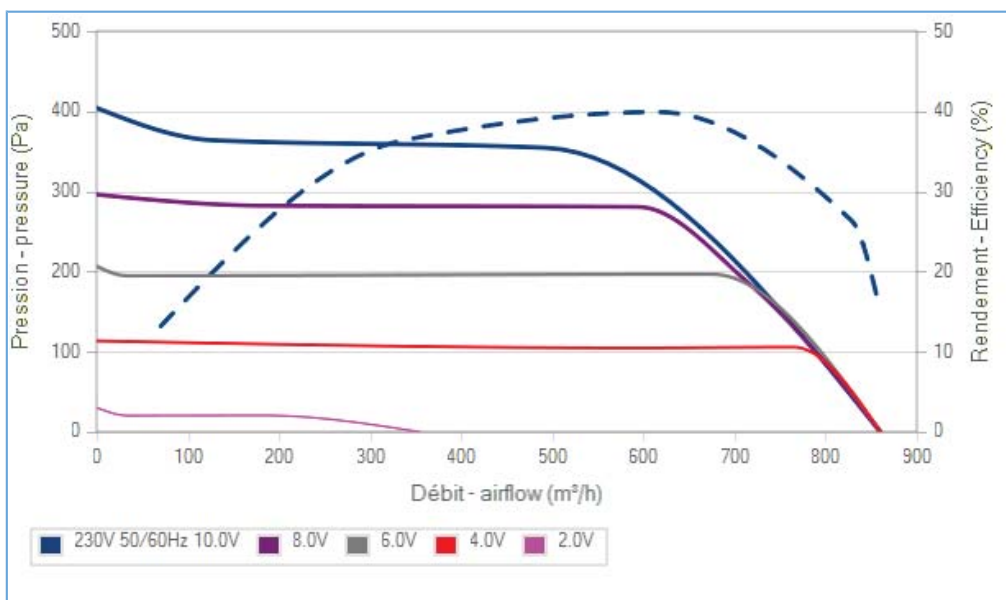
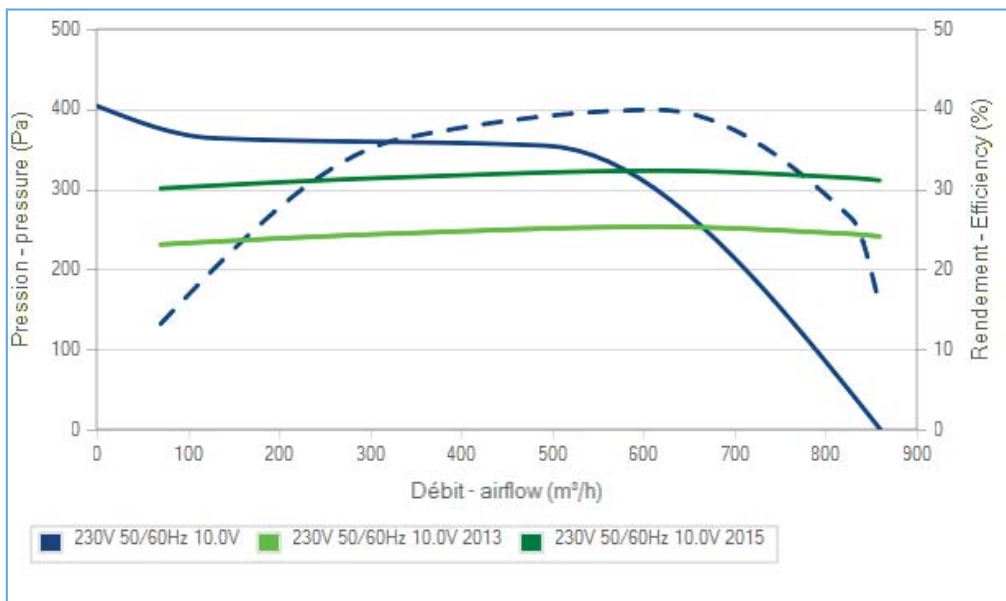
**Measurement setup**

Contact ECOFIT

**Documents**

Manuel d'utilisation  
[www.ecofit.com/site/normes](http://www.ecofit.com/site/normes)

Operating and recycling manual  
[www.ecofit.com/anglais/normes](http://www.ecofit.com/anglais/normes)



Non contractual document. All specifications are subject to change without prior notice. Picture for information only.



IEC 60335-2-80:2002 + A1:2004 +  
 IEC 60335-1:2010  
 EN 60335-2-80:2003 + A1:2004 + A2:2009 +  
 EN 60335-1:2012  
 RT9192CE



UL1004-1, 2nd edition "rotating electrical machine"  
 UL1004-3, 1st edition "thermally protected motors"  
 UL1004-7, 2nd edition "electronically protected motors"  
 C22.2 N°100-04, 6th edition "motors and generator"  
 C22.2 N°77-95, 7th edition "motors with inherent overheating protection"  
 RT9192  
 N° fichier : E326930 XDNW2,8