

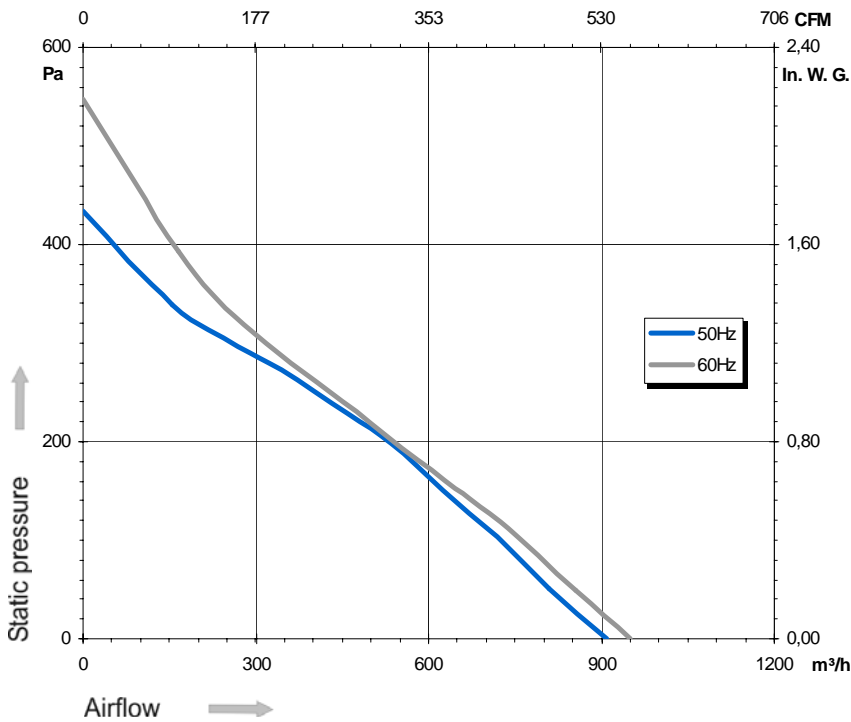
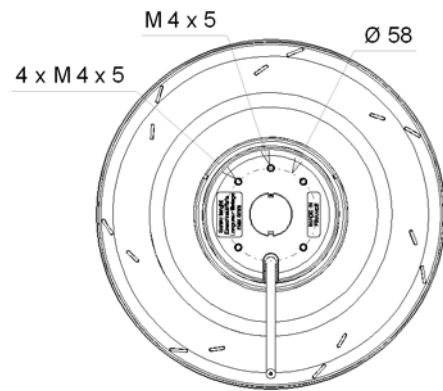
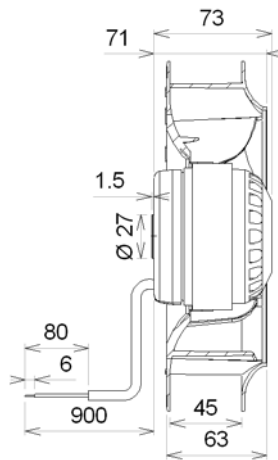
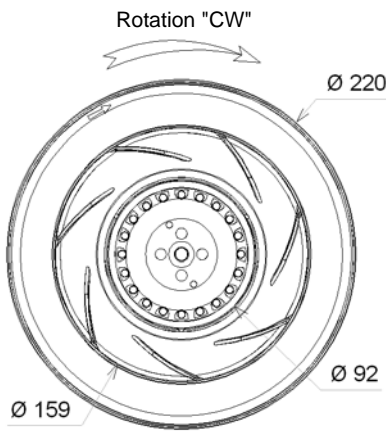
Ind. 0 - Revision : 03-2005

## 2RREu25 220x45R P/N D05-B5

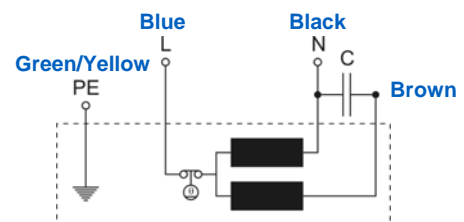
Substitute for B12-A2



Voltage	Frequency	Input power	Current	Capacitor	Airflow	Speed rotation	Noise level	Rotation direction	Operating temperature
V	Hz	Wa	A	µF	m³/h	RPM	dBA	↻	Min / Max
115	50	89	0,79	8,0	905	2 510	63	R	-40°C / +70°C
115	60	124	1,08	8,0	950	2 645	64	R	-40°C / +70°C



- Ball bearing
- Class F, thermally protected
- IP44 protection
- G2.5 balancing
- Rotor : black paint
- PA 6/6 UL 94 V-0 plastic impeller
- UL approved motor



Capacitor for 50Hz	Capacitor for 60Hz	Zinc Coated	Inlet cone
19222-0	19222-0	21194-a	16133-a

Non contractual document. All specifications are subject to change without prior notice. Picture for information only.