

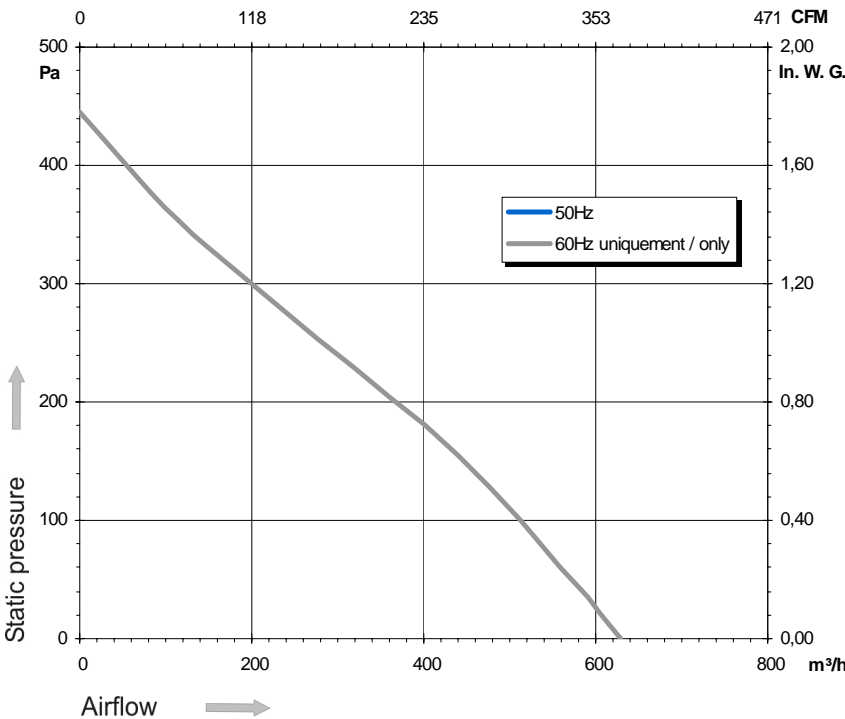
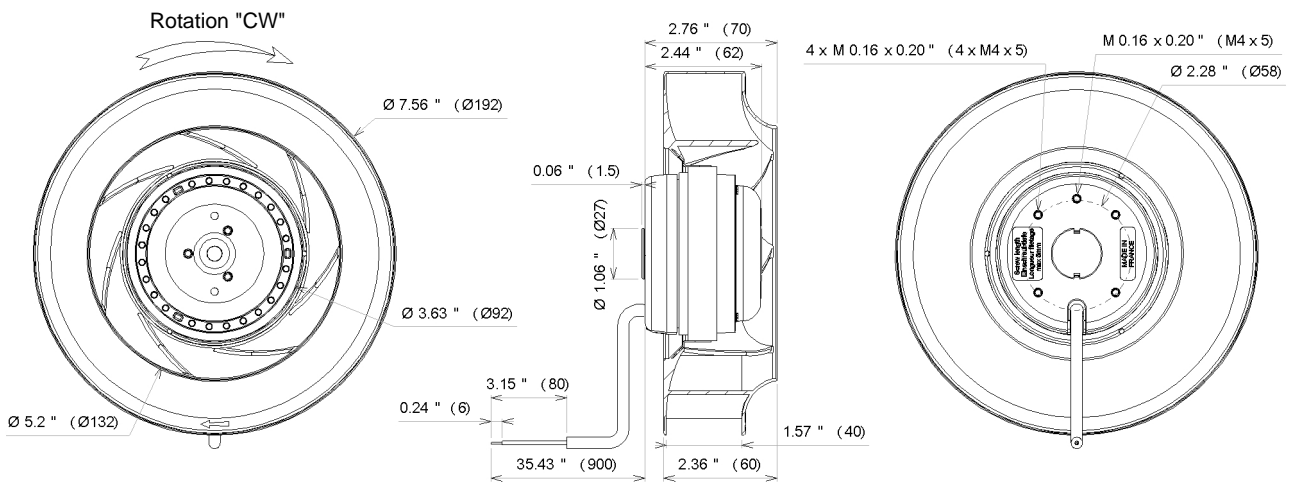
Ind. c - Revision : 08-2007

2RREu15 192x40R P/N C10-A6

Substitute for B12-A1



Voltage	Frequency	Input power	Current	Capacitor	Airflow	Speed rotation	Noise level	Rotation direction	Operating temperature
V	Hz	Wa	A	µF	m³/h	RPM	dBA	↻	Min / Max
115	50	-							
115	60	83	0,73	8,0	630	2 790	64	R	-40°C / +50°C
115	50								
115	60				370 CFM				-40°F / +122°F

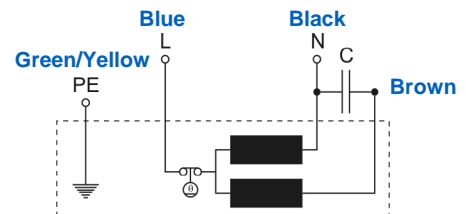


- Weight : 1,3 Kg
- Ball bearing
- Class F, thermally protected
- IP54 protection
- G2.5 balancing
- Rotor : black paint
- PP UL 94 V-0 plastic impeller
- UL approved motor

UL2111 (XEW2,8)
N° File E135223
2RS915



Capacitor for 50Hz	Capacitor for 60Hz	Finger guard	Inlet cone
-	19222	21181	16043



Non contractual document. All specifications are subject to change without prior notice. Picture for information only.