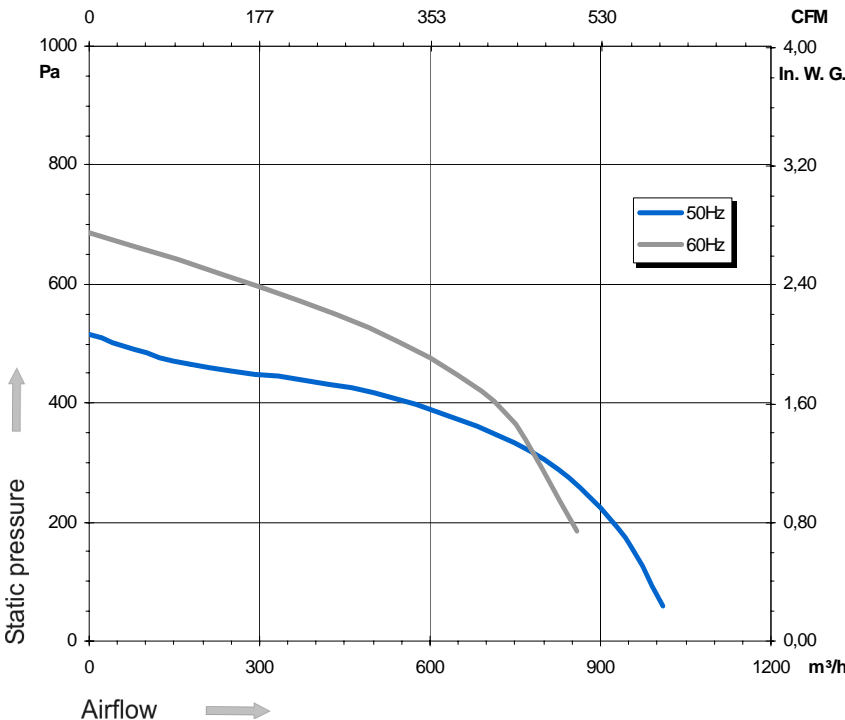
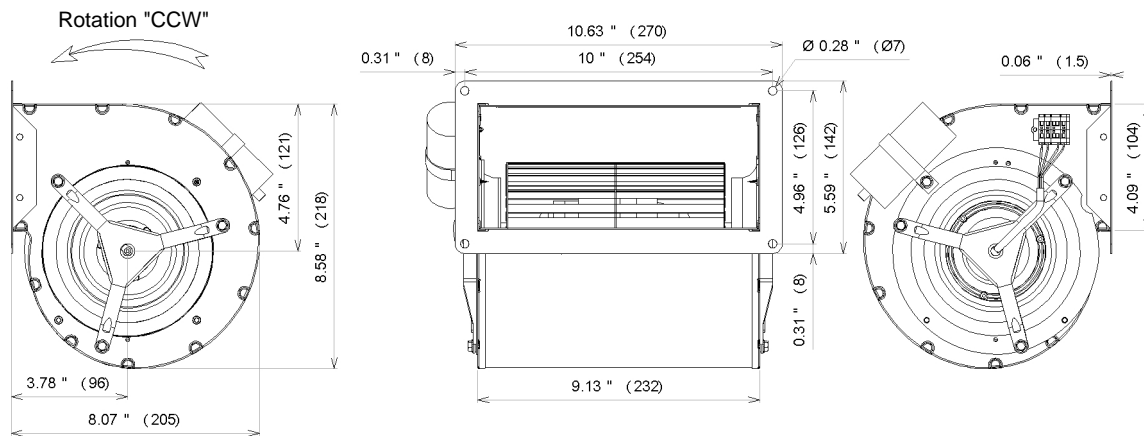
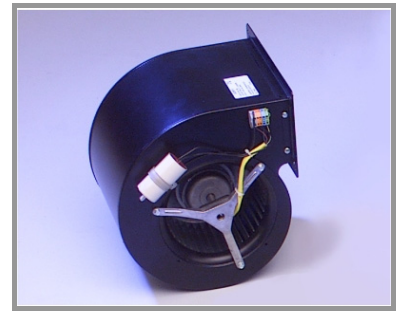


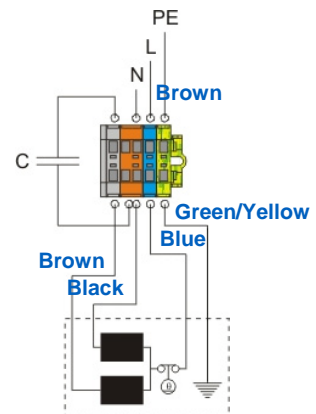
Ind. 0 - Revision : 08-2007

## 2GDFu65 146x180L P/N C50-B6

Voltage	Frequency	Input power	Current	Capacitor	Airflow	Speed rotation	Noise level	Rotation direction	Operating temperature
V	Hz	Wa	A	µF	m³/h	RPM	dBA	↻	Min / Max
115	50	356	3,10	40,0	1 010	1 845	62	L	-40°C / +50°C
115	60	387	3,37	40,0	855	2 105	65	L	-40°C / +60°C
115	50				594 CFM				-40°F / +122°F
115	60				503 CFM				-40°F / +140°F



- Weight : 6,1 Kg
- Ball bearing
- Class F, thermally protected
- IP54 protection
- G2.5 balancing
- Scroll housing : black paint
- Galvanized steel impeller
- Capacitor fixed on the scroll and wired to a WAGO Connector
- UL approved motor



Capacitor for 50Hz - Capacitor for 60Hz - Finguer guard 21290

Non contractual document. All specifications are subject to change without prior notice. Picture for information only.