

2GDS35 133x190L **

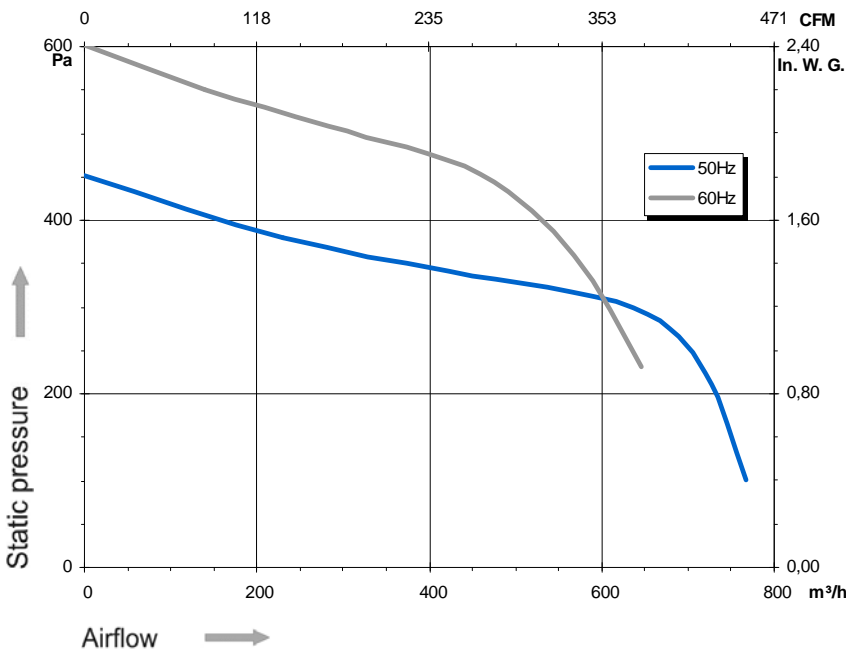
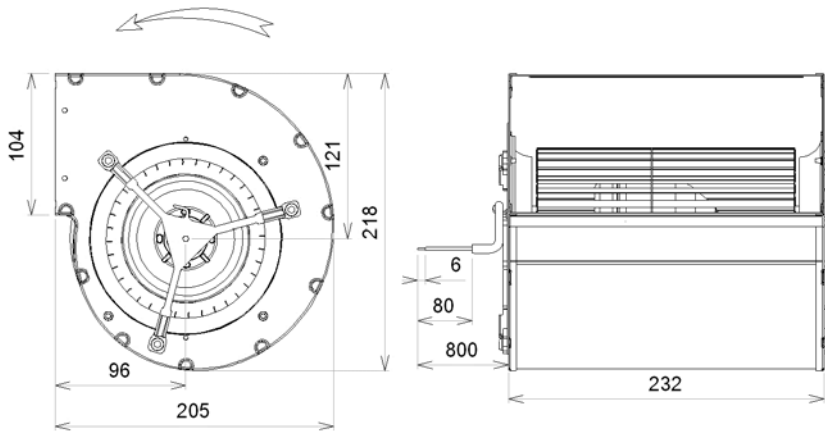
P/N Z18-04

Voltage	Frequency	Input power	Current	Capacitor	Airflow	Speed rotation	Noise level	Rotation direction	Operating temperature	ErP 2013	ErP 2015
V	Hz	Wa	A	μF	m³/h	RPM	dBA	↻	Min / Max	OK	NOK
230	50	242	1,06	4,0	765	2 045	59	L	-20°C / +60°C	OK	NOK
230	60	264	1,15	4,0	645	2 215	56	L	-20°C / +40°C		
230	50				450 CFM				-4°F / +140°F		
230	50				379 CFM				-4°F / +104°F		



dBa : free let out

Rotation "CCW"

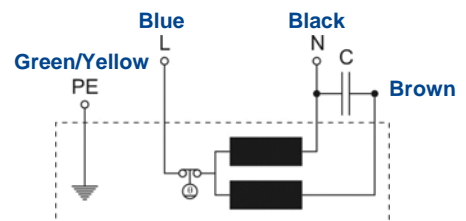


- Weight : 4,0 Kg

- Ball bearing
- Class F, thermally protected
- IP44 protection depending on installation and position as per EN60034-5
- G2.5 balancing
- Scroll housing : black paint
- Galvanized steel impeller



Capacitor for 50Hz	Capacitor for 60Hz	Finger guard	Connector
19019	19019	21338	09145



Non contractual document. All specifications are subject to change without prior notice. Picture for information only.