

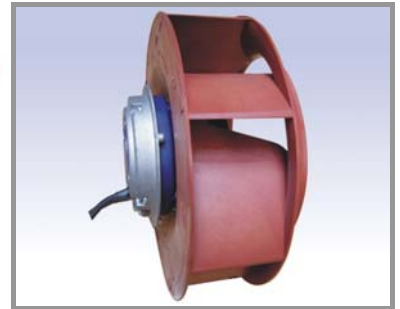
For professional use only. Please refer to the conditions of use of our catalogue.

Ind. e - Revision : 02-2012

RRED7 225x63R

P/N I07-A6

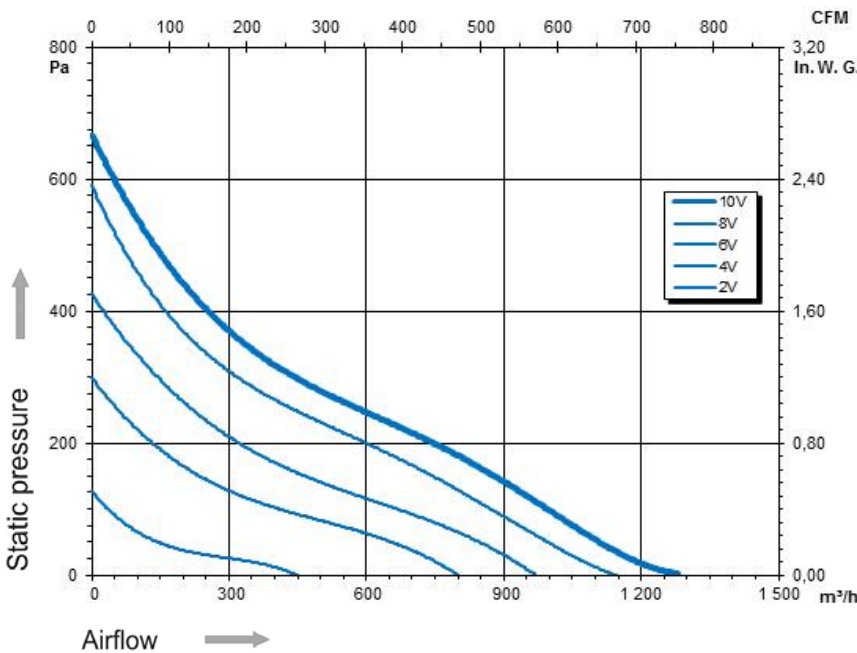
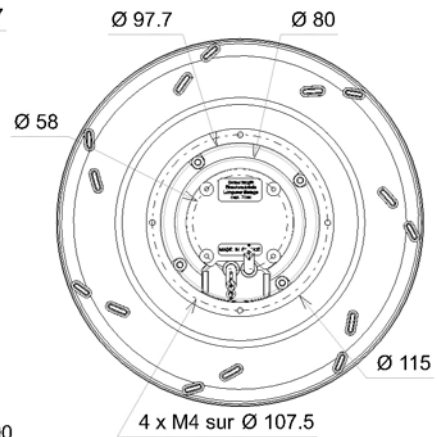
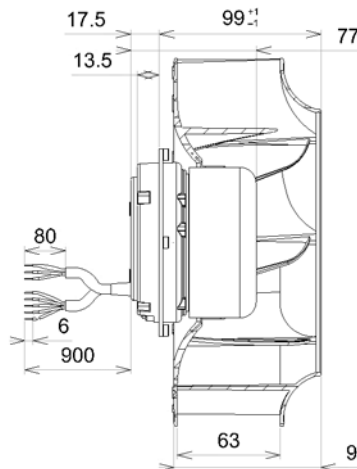
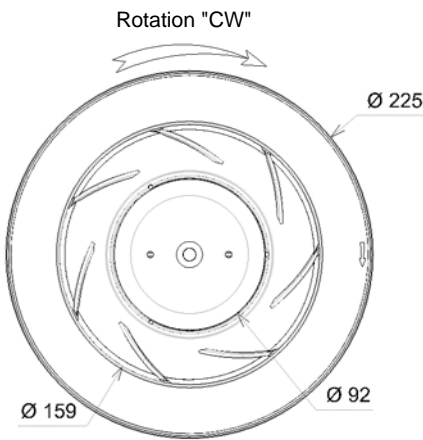
Substitute for E36-A4



Voltage	Frequency	Input power	Current	Airflow	Speed rotation	Noise level	Rotation direction	Operating temperature	ErP 2013	ErP 2015	
V	Hz	Wa	A	m³/h	RPM	dBA	↻	Min / Max			
230	50/60	99	0,84	-	1 280	2 360	67	R	-20°C / +50°C	NA	NA
230	50/60			753 CFM				-4°F / +122°F			

dBa : free let out

NA : Not Applicable

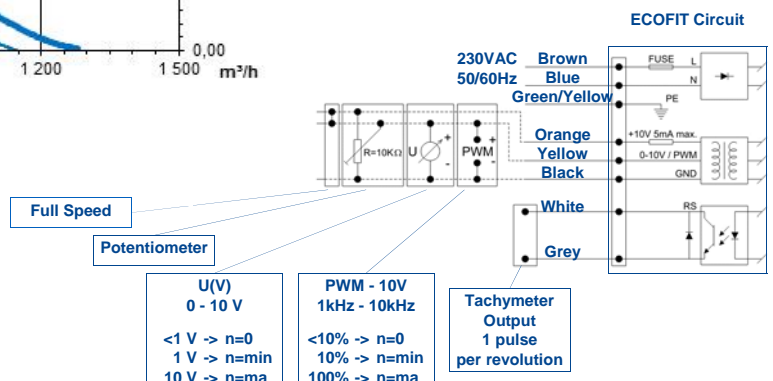


- Weight : 1,7 Kg
- Ball bearing
- Class F winding
- IP4x may be IP44 after checking customer appliance
- G2.5 balancing
- Rotor : black paint
- PA 6/6 UL 94 V-0 plastic impeller



Inlet cone

16214



Non contractual document. All specifications are subject to change without prior notice. Picture for information only.