

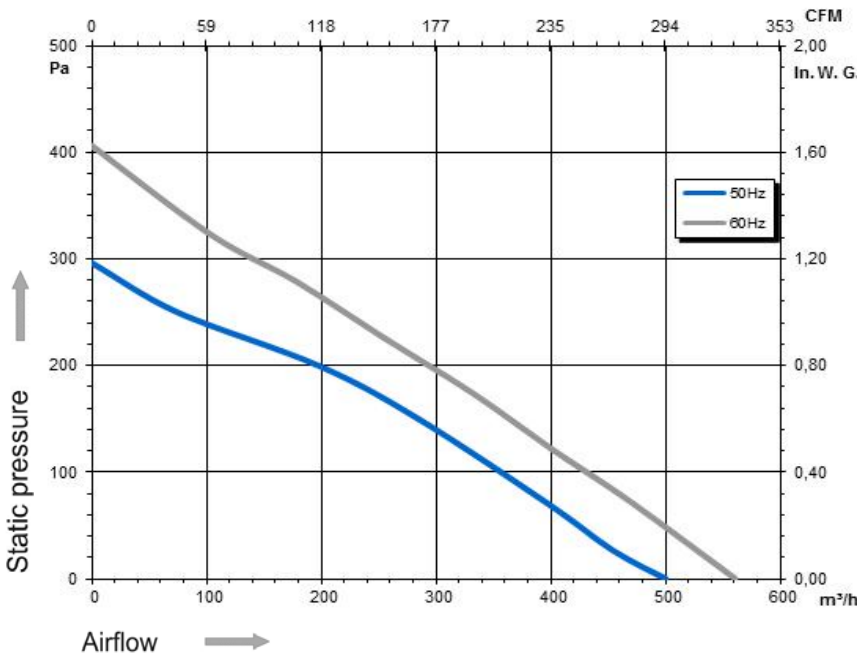
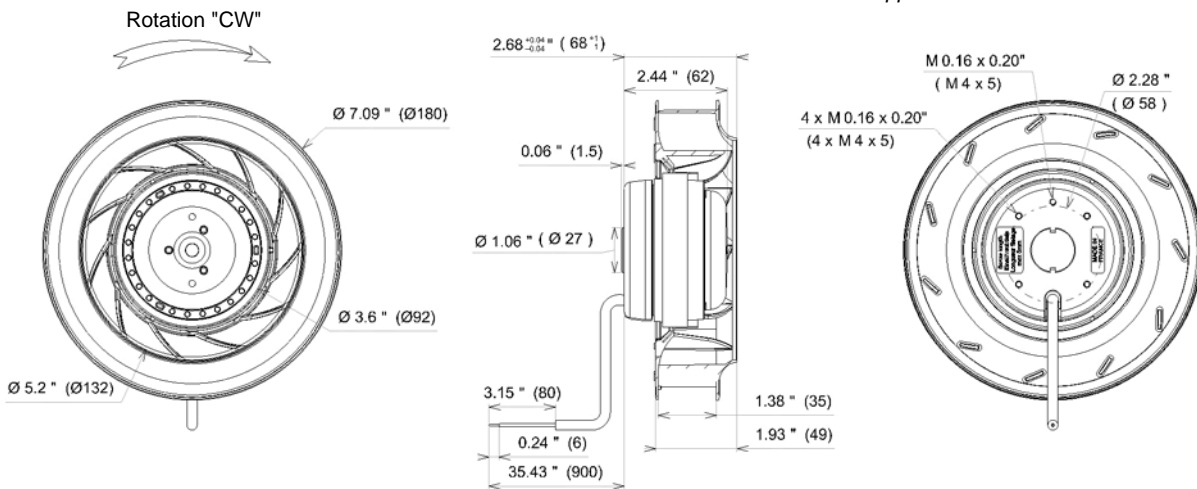
2RREu15 180x35R P/N B12-A0

Voltage	Frequency	Input power	Current	Capacitor	Airflow	Speed rotation	Noise level	Rotation direction	Operating temperature	ErP 2013	ErP 2015
V	Hz	Wa	A	µF	m³/h	RPM	dBA	↻	Min / Max		
115	50	49	0,43	6,0	500	2 610	59	R	-40°C / +70°C	NA	NA
115	60	60	0,53	6,0	560	2 960	62	R	-40°C / +85°C		
115	50				294 CFM				-40°F / +158°F		
115	50				329 CFM				-40°F / +185°F		



dBa : free let out

NA : Not Applicable



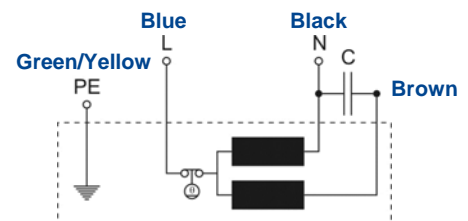
- Weight : 1,3 Kg
- Ball bearing
- Class F, thermally protected
- IP44 protection depending on installation and position as per EN60034-5
- G2.5 balancing
- Rotor : black paint
- PA 6/6 UL 94 V-0 plastic impeller
- UL approved motor



UL2111 (XEW2,8)
N° File E135223
2RS915



Capacitor for 50Hz	Capacitor for 60Hz	Finger guard	Inlet cone
19221	19221	21181	16043



Non contractual document. All specifications are subject to change without prior notice. Picture for information only.