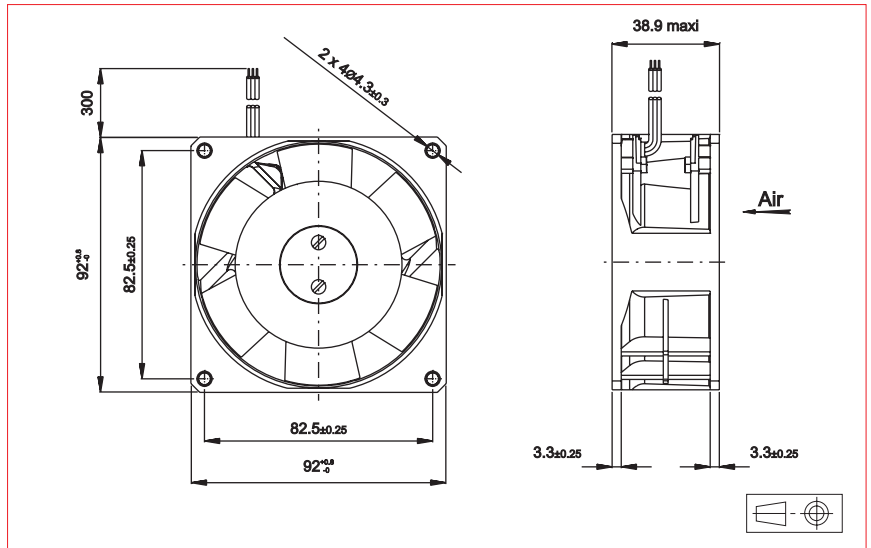


DC Axial Fans



#### Approvals



#### Life expectancy

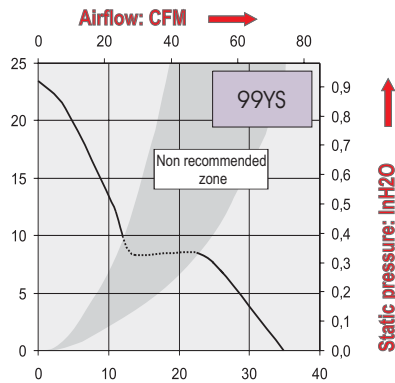
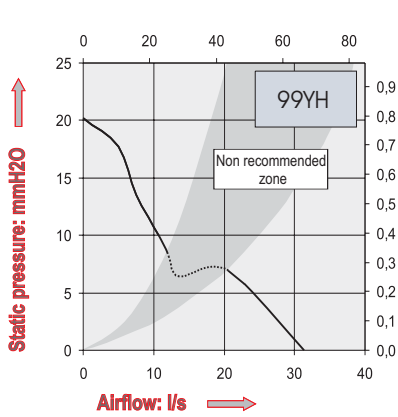
L-10 LIFE AT 40°C:  
25 000 hours

#### Brushless DC Motor

Electrical protection: integrated circuit  
Housing material: plastic UL 94 V0  
Impeller material: plastic UL 94 V0  
Maximum weight: 370 g  
Bearing system: ball bearings  
Connection: flying leads  
IP 20

#### Available with:

- Speed sensor
- Alarm
- Non RoHS on request



Part Number	Nominal voltage	Airflow	Noise level	Nominal speed	Input Power	Voltage range	Operating temperature	
	V	l/s	dB(A)	RPM	W	V	Min.°C	Max.°C
99YH2LP11000	24	31,4	52	5500	7,8	(21,6-26,4)	-10	70
99YS2LP11000	24	35,3	54,6	6060	11,7	(21,6-26,4)	-10	70

**Additional versions:**  
Other speeds - other voltages  
Salt spray protected - shock and vibration protected - marine specifications

