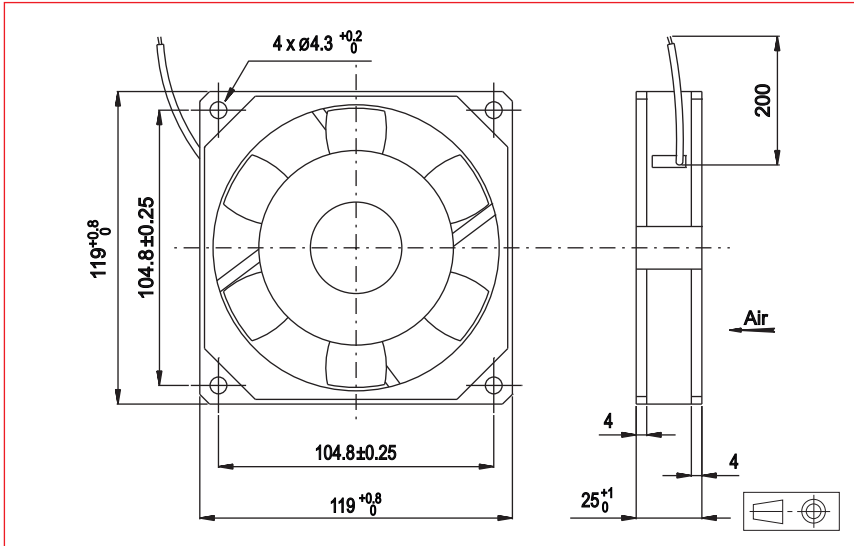


4,724" x 4,724" x 0,984" 120 x 120 x 25 mm

Series
98X

ETRI®

400 Hz Fans



Approvals

NATO codification (not on all part numbers, please consult the factory for more detailed information)

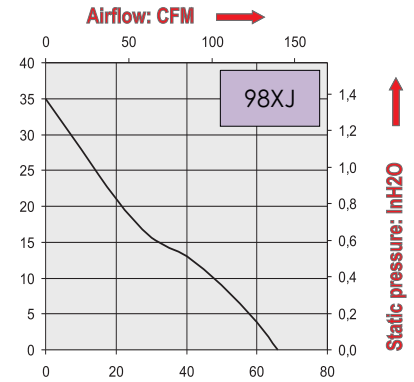
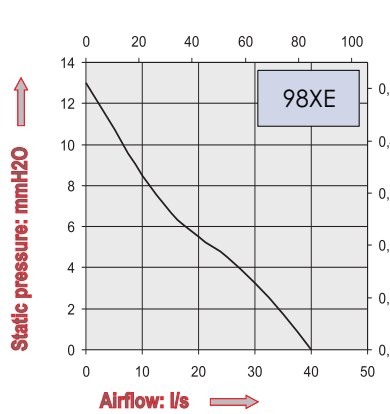
Life expectancy

L-10 LIFE AT 40°C:
35 000 hours

400 Hz Motor

Housing material: zamak
Impeller material: plastic UL 94 VO
Weight: 500 g
Bearing system: ball bearings

Connection: flying leads



Part Number	Nominal voltage	Airflow		Noise level	Nominal speed	Phases	Capacitor (not included)	Input power	Nominal Current	Starting Current	Operating temperature	
	V	l/s	Cfm	dB(A)	RPM		µF	W	mA	mA	Min.°C	Max.°C
98XE0162001	115	40	84,7	52	3500	1	0,15	13	113	135	-10	70
98XE0160001	200	40	84,7	52	3500	1	0,05	13	70	80	-10	70
98XJ0162001	115	66	139,8	65	5500	3		30	310	490	-10	70
98XJ0160001	115	66	139,8	65	5500	1	1	30	310	610	-10	70
	200	66	139,8	65	5500	3		30	180	280	-10	70
	200	66	139,8	65	5500	1	0,32	30	180	350	-10	70

Additional versions:

Salt spray protected - Shock and vibration protected - Marine specifications
Wide temperature range