

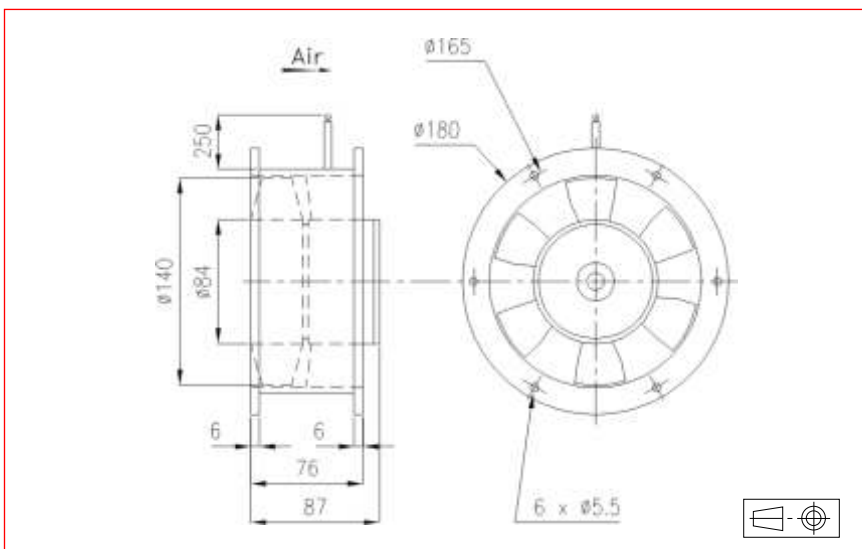
Approvals

CE, NATO codification

Life expectancy

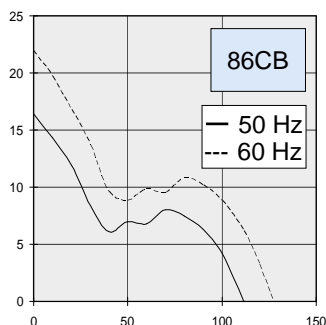
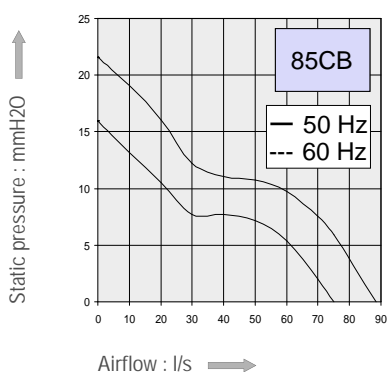
L-10 LIFE AT 40°C:
25 000 hours

Ø 180 x 87 mm



AC Motor
 Housing material : aluminium
 Impeller material : plastic
 Weight : 2,1 kg
 Bearing system : ball bearings

Available with :
 - Safety switch
 - Aluminium impeller



Part Number	Nominal voltage	Airflow	Noise level	Nominal speed	Frequency	Phases	Capacitor (not included)	Input power	Nominal Current	Starting Current	Connection type		Operating temperature	
	V										l/s	dB(A)	RPM	Hz
85CB016DC13	220	75	57	2850	50	3		20	110	320	X		-10	70
	380	75	57	2850	50	3		20	65	185	X		-10	70
	220	88	61	3300	60	3		23	95	300	X		-10	70
	380	88	61	3300	60	3		23	55	175	X		-10	70
	220	75	57	2580	50	1	1,47	20	110	260	X		-10	70
	380	75	57	2850	50	1	0,47	20	65	150	X		-10	70
86CB016DC13	220	88	61	3300	60	1	1,47	24	115	250	X		-10	70
	380	88	61	3300	60	1	0,47	24	70	145	X		-10	70
	220	111	56	2800	50	3		35	170	470	X		-10	70
	380	111	56	2800	50	3		35	100	275	X		-10	70
	220	127	60	3200	60	3		41	150	440	X		-10	70
	380	127	60	3200	60	3		41	90	255	X		-10	70
	220	111	56	2800	50	1	2,2	34	180	400	X		-10	70
	380	111	56	2800	50	1	0,69	34	105	235	X		-10	70
	220	127	60	3200	60	1	2,2	42	200	375	X		-10	70
	380	127	60	3200	60	1	0,69	42	115	220	X		-10	70

Additional versions:
 Salt spray protected - Shock and vibration protected - Marine specifications
 Wide temperature range - Other voltages (consult factory)