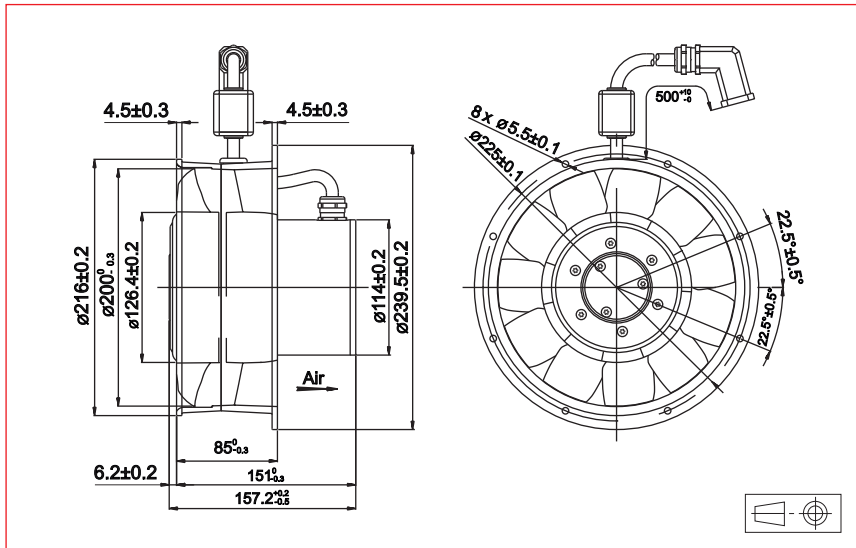


**Ø 9,43" x 5,945" Ø 239.5 x 151 mm**

**63DBV**

**ETRI®**

*DC High Performance Fans*



**Approvals**

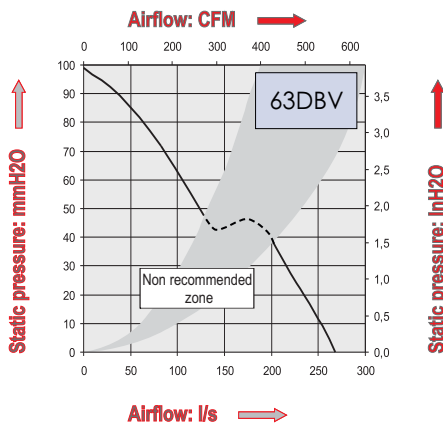


**Life expectancy**

L-10 LIFE AT 40°C:  
40 000 hours

**Brushless DC Motor**  
 Electrical protection: integrated circuit  
 Housing material: aluminium  
 Impeller material: plastic UL 94 VO  
 Weight: 5,5 Kg  
 Bearing system: ball bearings

**Available with:**  
 - 0-10V speed control  
 - Tachometric output  
 - EN 61373 standard



Part Number	Nominal voltage	Airflow	Noise level	Nominal speed	Input Power	Voltage range	Connexion type		Operating temperature	
	V	l/s	dB(A)	RPM	W	V	Leads	Terminals	Min.°C	Max.°C
63DBV01E6000	28	268	76	4750	175	(17-33)		X	-25	70

**Additional versions:**  
 Salt spray protected - Shock & vibration protected - Fire smoke - IP55