

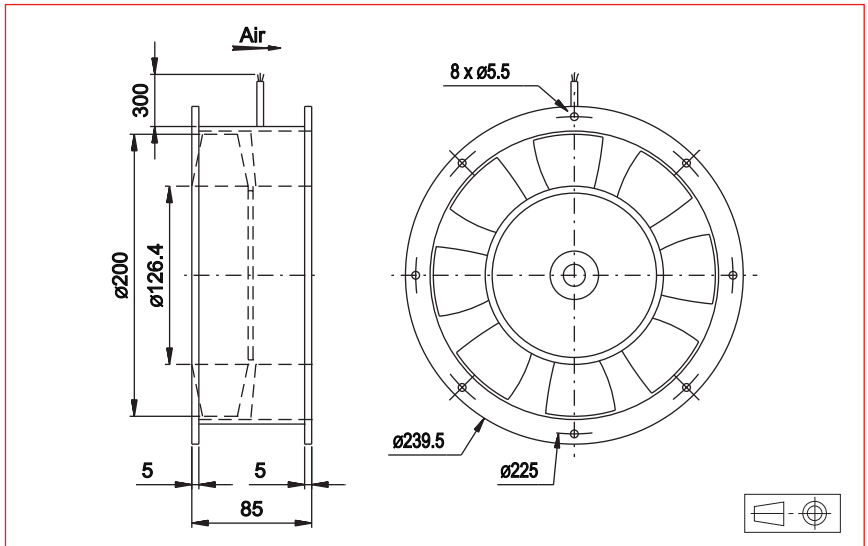


Approvals

CE, NATO codification

Life expectancy

L-10 LIFE AT 40°C:
25 000 hours

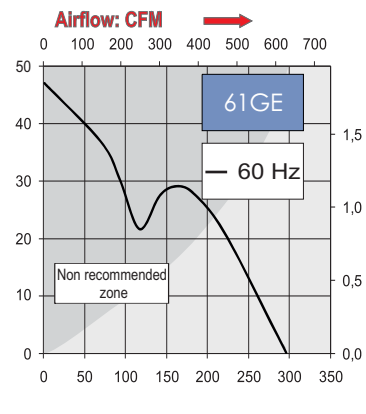
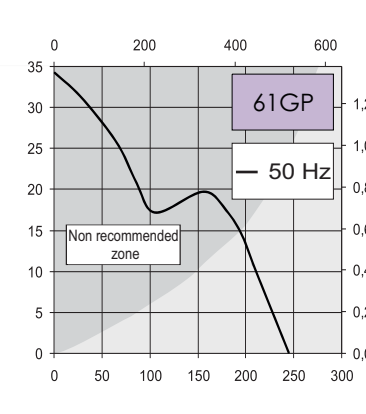
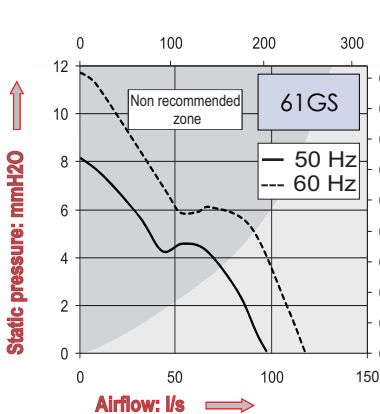


AC Motor

Housing material: aluminium
Impeller material: plastic
Weight: 3,85 kg (61GS)
4,25 kg (61GP, 61GE)
Bearing system: ball bearings

Available with:

- Safety switch
- Terminal block
- Aluminium impeller (62G series)



Part Number	Nominal voltage	Airflow	Noise level	Nominal speed	Frequency	Phases	Capacitor (not included)	Input power	Nominal Current	Starting Current	Connection type		Operating temperature	
	V										l/s	dB(A)	RPM	Hz
61GS016DC13A	230	97	57	1480	50	3		16	160	-	X	X	-10	70
	400	97	57	1480	50	3		16	90	-	X	X	-10	70
	230	117	60	1770	60	3		15	130	-	X	X	-10	70
	400	117	52	1700	60	3		20	70	-	X	X	-10	70
	230	97	57	1480	50	1	1,47	17	160	-	X	X	-10	70
	400	97	57	1480	50	1	0,47	17	90	-	X	X	-10	70
61GP016DC13A	230	117	60	1770	60	1	1,47	16	110	-	X	X	-10	70
	400	117	60	1770	60	1	0,47	17	70	-	X	X	-10	70
	230	238	71	2870	50	3		68	290	-	X	X	-10	70
	400	238	71	2870	50	3		66	170	-	X	X	-10	70
	230	243	71	2870	50	1	5,7	71	330	-	X	X	-10	70
	400	243	71	2870	50	1	2,0	70	190	-	X	X	-10	70
61GE016DC13A	230	294	74	3450	60	3		110	410	-	X	X	-10	70
	400	294	74	3450	60	3		110	240	-	X	X	-10	70
	230	294	74	3450	60	1	4,7	113	510	-	X	X	-10	70
	400	294	74	3450	60	1	1,47	113	300	-	X	X	-10	70

Additional versions:

Salt spray protected - Shock and vibration protected - Marine specifications
Wide temperature range - Other voltages (consult factory)