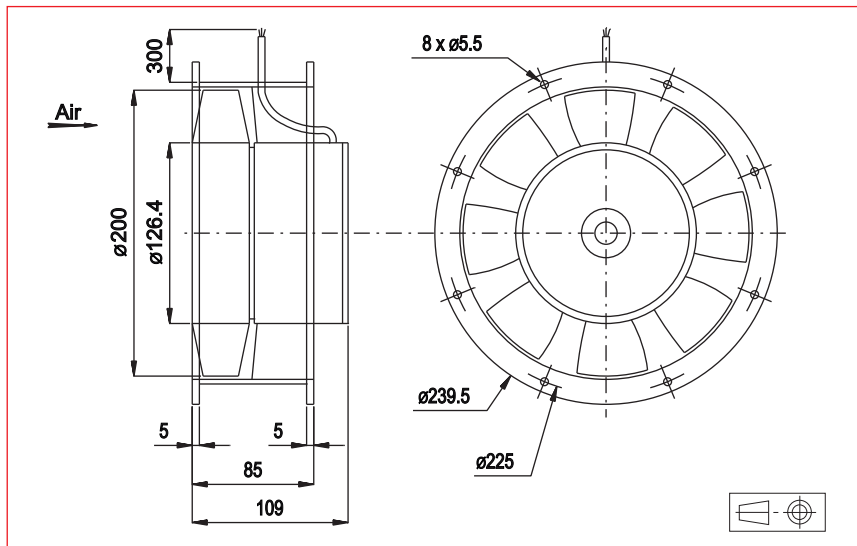


Ø 9,43" x 4,29" Ø 239,5 x 109 mm

61BE

ETRI®

400 Hz Fans



Approvals

NATO codification (not on all part numbers, please consult the factory for more detailed information)

Life expectancy

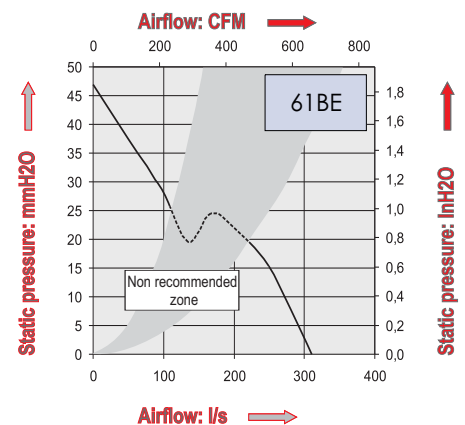
L-10 LIFE AT 40°C:
25 000 hours

400 Hz Motor

Housing material: aluminium
Impeller material: aluminium
Weight: 4,7 kg
Bearing system: ball bearings

Connection: flying leads

Available with:
- Safety switch



Part Number	Nominal voltage		Airflow		Noise level dB(A)	Nominal speed RPM	Phases	Capacitor (not included) µF	Input power W	Nominal Current mA	Starting Current mA	Operating temperature	
	V	I/s	Cfm									Min.°C	Max.°C
61BE0162C13	115	310	656,9	68	3500	3			126	1800	3650	-10	70
	115	310	656,9	68									
61BE0160C13	200	310	656,9	68	3500	3			126	1030	2100	-10	70
	200	310	656,9	68									

Additional versions:

Salt spray protected - Shock and vibration protected - Marine specifications
Wide temperature range