

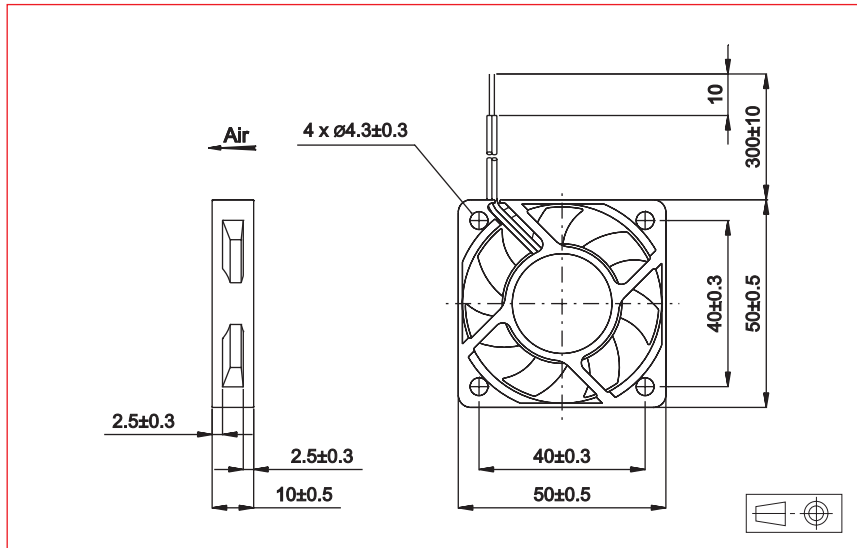
1,968" x 1,968" x 0,393"

50 x 50 x 10 mm

Series
373D

ETRI

DC Axial Fans



Approvals



Life expectancy

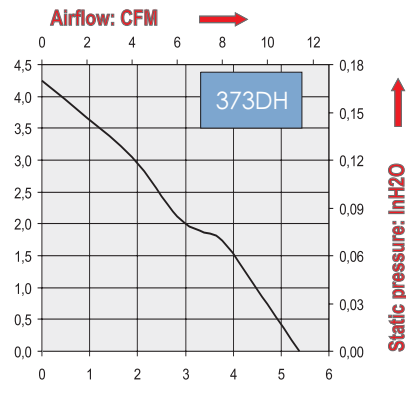
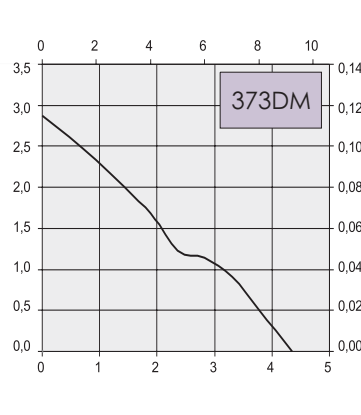
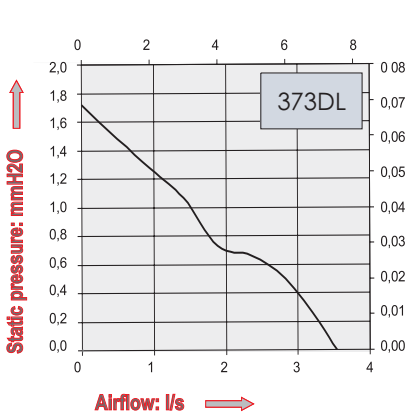
L-10 LIFE AT 40°C:
70 000 hours

Brushless DC Motor

Electrical protection: integrated circuit
Housing material: plastic UL 94 V0
Impeller material: plastic UL 94 V0
Maximum weight: 25 g
Bearing system: ball bearings
Connection: flying leads
IP 20

Available with:

- Speed sensor
- Alarm
- IP 54 / IP 55



Part Number	Nominal voltage	Airflow	Noise level	Nominal speed	Input Power	Voltage range	Operating temperature	
	V	l/s	dB(A)	RPM			W	V
373DL1LP11000	12	3,5	18	3500	0,6	(9-13,8)	-10	70
373DM1LP11000	12	4,4	24	4500	1,0	(9-13,8)	-10	70
373DH1LP11000	12	5,4	30	5500	1,2	(9-13,8)	-10	70