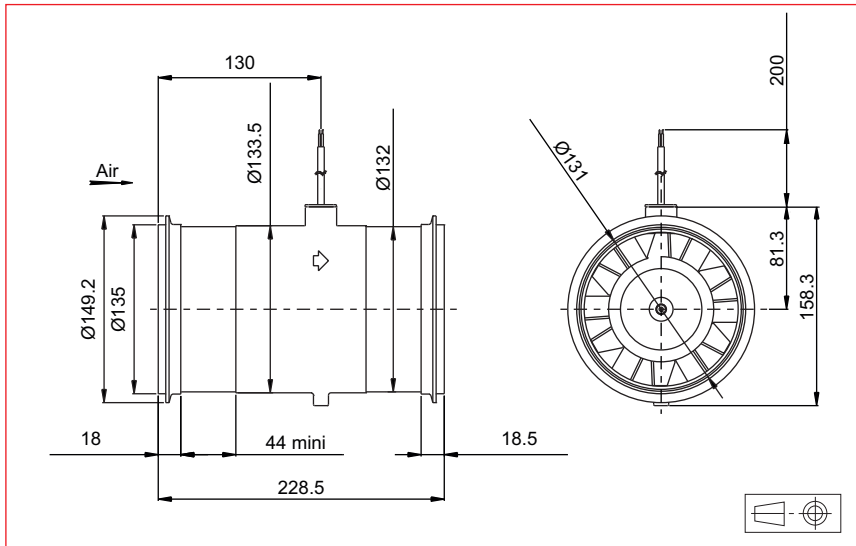


5,87" x 9" Ø 149,2 x 228,5 mm

155BW

ETRI®

400 Hz Fans



Approvals

NATO codification (not on all part numbers, please consult the factory for more detailed information)

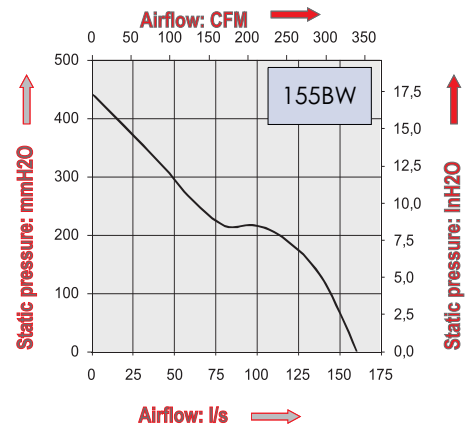
Life expectancy

L-10 LIFE AT 40°C:
25 000 hours

400 Hz Motor

Housing material: aluminium
Impeller material: aluminium
Weight: 3,6 kg
Bearing system: ball bearings

Connection: flying leads



Part Number	Nominal voltage	Airflow		Noise level	Nominal speed	Phases	Capacitor (not included)	Input power	Nominal Current	Starting Current	Operating temperature	
	V	l/s	Cfm	dB(A)	RPM		µF	W	mA	mA	Min.°C	Max.°C
155BW1160C13	200	160	339	84	11600	3		350	1600	10000	-50	70

Additional versions:
Salt spray protected - Air specifications