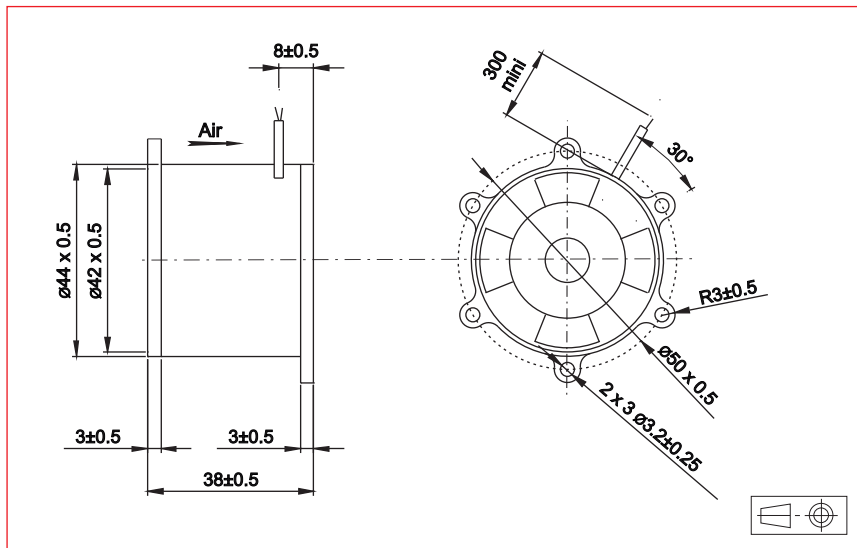


**Ø 2,204" x 1,496" Ø 56 x 38 mm**

**149ZG**

**ETRI®**

400 Hz Fans



**Approvals**

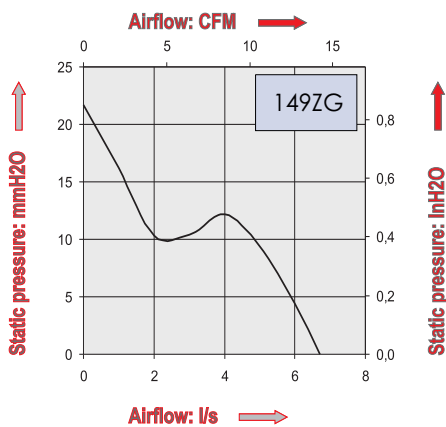
**Life expectancy**

L-10 LIFE AT 40°C:  
25 000 hours

**400 Hz Motor**

Housing material: aluminium  
Impeller material: aluminium  
Weight: 140 g  
Bearing system: ball bearings

Connection: flying leads



Part Number	Nominal voltage	Airflow		Noise level	Nominal speed	Phases	Capacitor <small>(not included)</small>	Input power	Nominal Current	Starting Current	Operating temperature	
	V	l/s	Cfm	dB(A)	RPM		µF	W	mA	mA	Min.°C	Max.°C
149ZG0562005	115	6,7	14,2	52,5	11500	3		9	96	208	-20	85
149ZG0560005	200	6,7	14,2	52,5	11500	3		9	55	120	-20	85

**Additional versions:**  
Salt spray protected - Shock and vibration protected - Marine specifications  
Wide temperature range