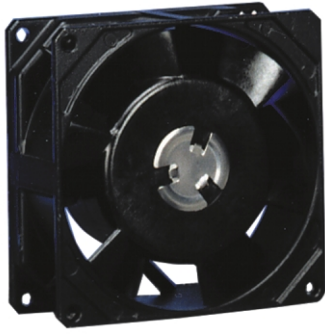


AC Axial Fans



Approvals



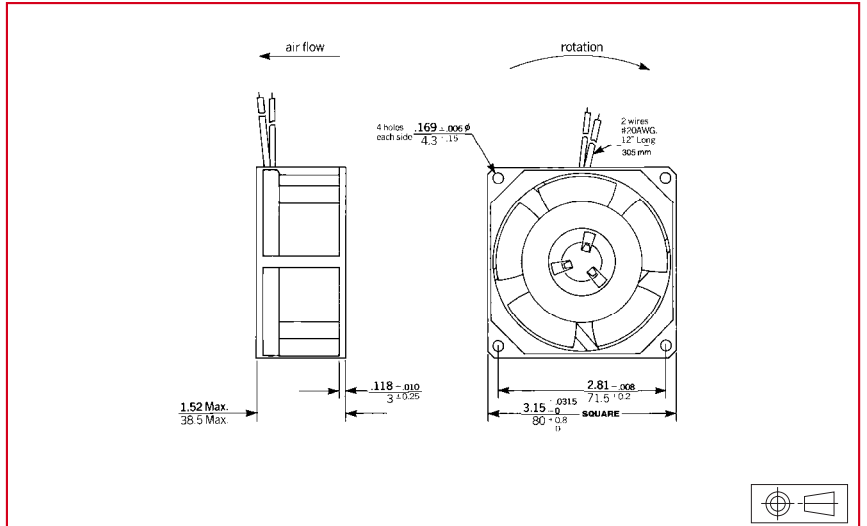
GAM T1 listed

Life expectancy

L-10 LIFE AT 40°C:

80 000 hours (ball bearings)

50 000 hours (sleeve bearings)



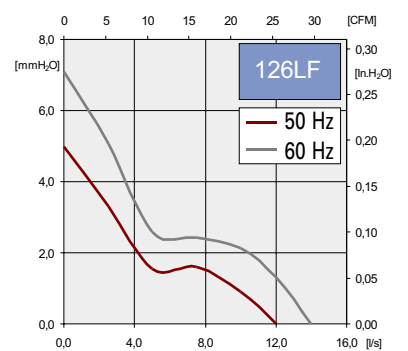
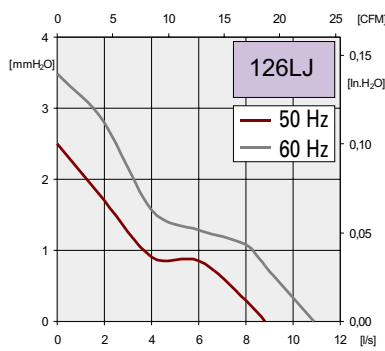
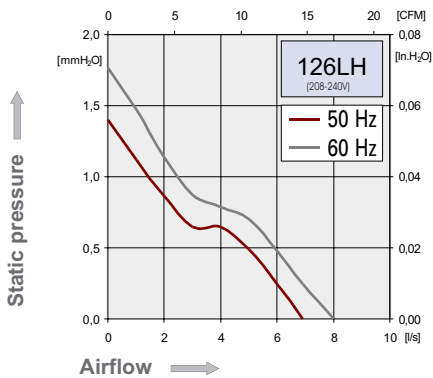
AC Motor

Electrical protection: impedance protected

Housing material: zamak

Impeller material: plastic UL 94 VO

Weight: 0,4 kg



Part number	Nominal voltage	Airflow	Noise level	Nominal speed	Frequency	Phases	Capacitor	Input power	Nominal current	Starting current	Bearing system	Connection type		Operating temperature		
	V	l/s	dB(A)	RPM	Hz		µF	W	mA	mA	Ball	Sleeve	Leads	Terminals	Min. °C	Max. °C
126LH0182000	115	6	10	1350	50	1		5	50	60	X		X		- 10	70
126LH0181000	208-240	7	11	1550	60	1		4	50	60	X		X		- 10	70
		6,5	14	1550	50	1		7	35	40	X		X		- 10	70
126LJ0182000	115	8	18	1850	60	1		6	30	35	X		X		- 10	70
		9	22	2000	50	1		7	75	80	X		X		- 10	70
126LJ0181000	208-240	11	25	2400	60	1		6	65	70	X		X		- 10	70
		9	22	2000	50	1		8	45	50	X		X		- 10	70
126LF0182000	115	11	25	2400	60	1		7	40	45	X		X		- 10	70
		12,5	30	2750	50	1		10	130	170	X		X		- 10	70
126LF0181000	208-240	15	35	3250	60	1		8	100	140	X		X		- 10	70
		12,5	30	2750	50	1		12	75	90	X		X		- 10	70
		15	35	3250	60	1		9	60	70	X		X		- 10	70

Additional versions:

Shock and vibration protected - wide temperature range
Sleeve bearings

Accessories:

- Plastic finger guards P/N : PFG-80 and 81-53
- Plastic filter P/N : F80/T102

- Rubber mounts P/N : AM-10
- Metal finger guard P/N : 12601-43
- Metal mesh filter P/N : 80-G