

400 Hz Fans

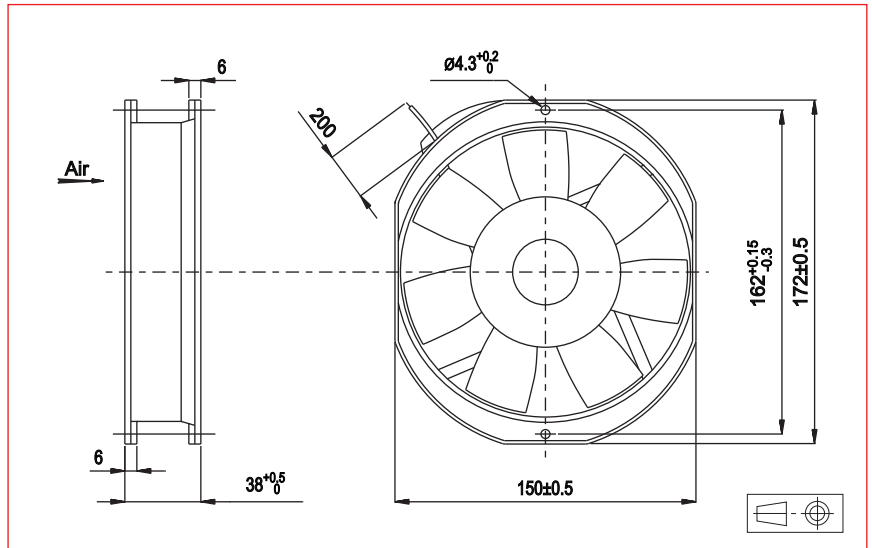


Approvals

NATO codification (not on all part numbers, please consult the factory for more detailed information)

Life expectancy

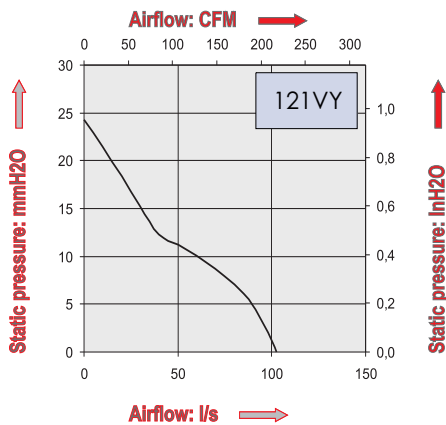
L-10 LIFE AT 40°C:
35 000 hours



400 Hz Motor

Housing material: aluminium
Impeller material: plastic UL 94 VO
Weight: 775 g
Bearing system: ball bearings

Connection: flying leads



Part Number	Nominal voltage		Airflow		Noise level dB(A)	Nominal speed RPM	Phases	Capacitor (not included) µF	Input power W	Nominal Current mA	Starting Current mA	Operating temperature	
	V	I/s	Cfm	I/s								Min.°C	Max.°C
121VY0162001	115	103	218,2	62	3750	1	0,32	39	410	550	-10	70	
121VY0160001	200	103	218,2	62	3750	1	0,1	39	345	490	-10	70	

Additional versions:
Salt spray protected - Shock and vibration protected - Marine specifications
Wide temperature range