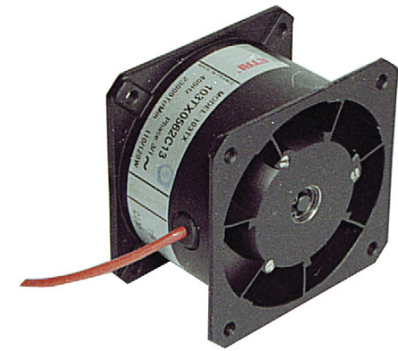


**3,15" x 3,15" x 1,968" 80 x 80 x 50 mm**

Series  
**103T - 82T**

**ETRI®**

400 Hz Fans

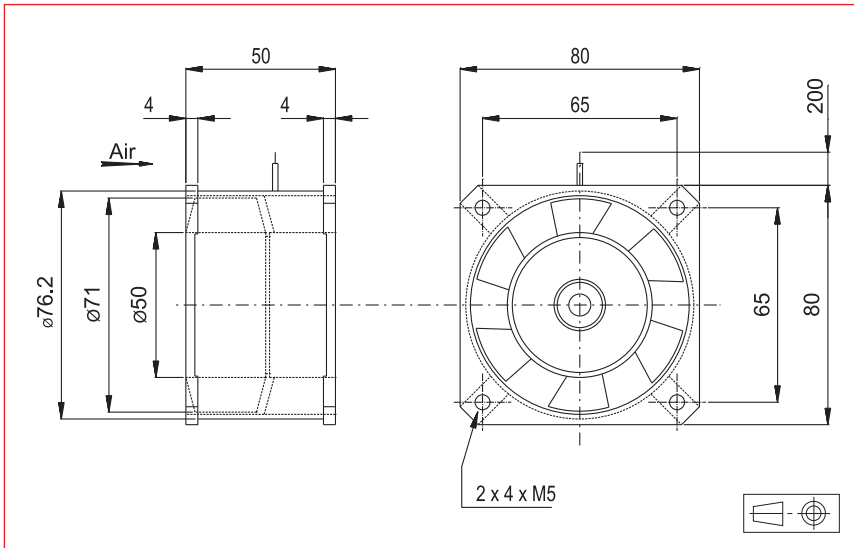


**Approvals**

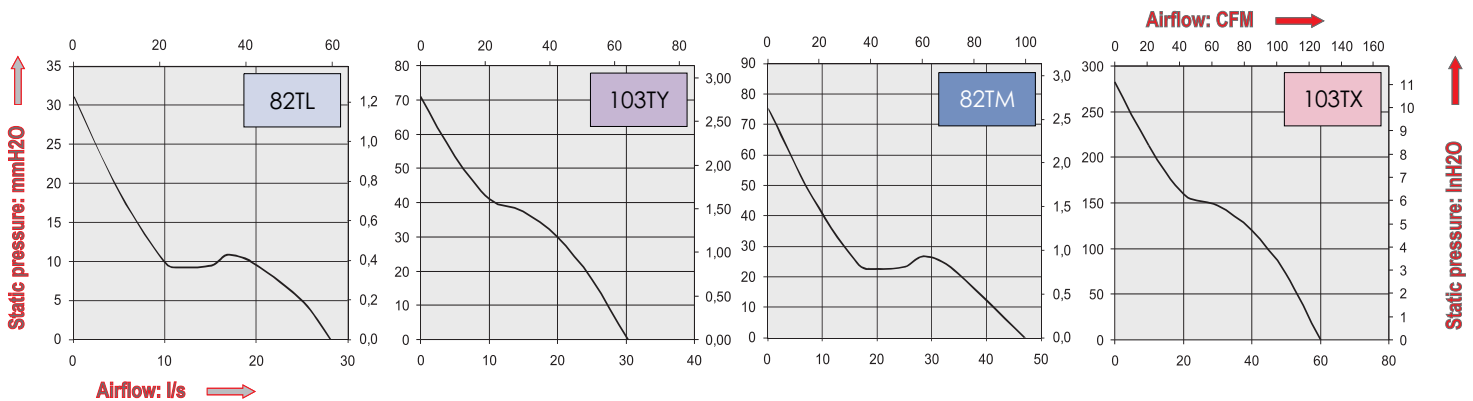
NATO codification (not on all part numbers, please consult the factory for more detailed information)

**Life expectancy**

L-10 LIFE AT 40°C:  
25 000 hours



**400 Hz Motor** Connection: flying leads  
 Housing material: aluminium  
 Impeller material: aluminium  
 Weight: 480 g  
 Bearing system: ball bearings



| Part Number  | Nominal voltage | Airflow |       | Noise level | Nominal speed | Phases | Capacitor (not included) | Input power | Nominal Current | Starting Current | Operating temperature |        |
|--------------|-----------------|---------|-------|-------------|---------------|--------|--------------------------|-------------|-----------------|------------------|-----------------------|--------|
|              | V               | l/s     | Cfm   | dB(A)       | RPM           |        | µF                       | W           | mA              | mA               | Min.°C                | Max.°C |
| 82TL0562C13  | 115             | 29      | 61,4  | 59          | 7200          | 3      |                          | 25          | 225             | 475              | -10                   | 70     |
|              | 115             | 28      | 59,3  | 59          | 7050          | 1      | 0,69                     | 24          | 245             | 370              | -10                   | 70     |
| 82TL0560C13  | 200             | 29      | 61,4  | 59          | 7200          | 3      |                          | 25          | 130             | 275              | -10                   | 70     |
|              | 200             | 28      | 59,3  | 59          | 7050          | 1      | 0,22                     | 24          | 140             | 210              | -10                   | 70     |
| 103TY0562C13 | 115             | 30      | 63,6  | 65          | 11400         | 3      |                          | 19          | 160             | 460              | -10                   | 70     |
|              | 115             | 30      | 63,6  | 65          | 11400         | 1      | 0,69                     | 21          | 180             | 390              | -10                   | 70     |
| 103TY0560C13 | 200             | 30      | 63,6  | 65          | 11400         | 3      |                          | 19          | 95              | 270              | -10                   | 70     |
|              | 200             | 30      | 63,6  | 65          | 11400         | 1      | 0,22                     | 21          | 105             | 230              | -10                   | 70     |
| 82TM0562C13  | 115             | 47      | 99,6  | 68          | 11200         | 3      |                          | 67          | 500             | 1400             | -10                   | 70     |
|              | 115             | 47      | 99,6  | 68          | 11200         | 1      | 2,2                      | 72          | 630             | 1100             | -10                   | 70     |
| 82TM0560C13  | 200             | 47      | 99,6  | 68          | 11200         | 3      |                          | 67          | 360             | 1400             | -10                   | 70     |
|              | 200             | 47      | 99,6  | 68          | 11200         | 1      | 0,69                     | 72          | 500             | 1100             | -10                   | 70     |
| 103TX0562C13 | 115             | 60      | 127,1 | 80          | 23000         | 3      |                          | 110         | 690             | 3300             | -10                   | 70     |
|              | 115             | 60      | 127,1 | 80          | 23000         | 1      | 3,2                      | 120         | 1050            | 2800             | -10                   | 70     |
| 103TX0560C13 | 200             | 60      | 127,1 | 80          | 23000         | 3      |                          | 110         | 400             | 1900             | -10                   | 70     |
|              | 200             | 60      | 127,1 | 80          | 23000         | 1      | 1                        | 120         | 580             | 1600             | -10                   | 70     |

**Additional versions:**  
 Salt spray protected - Shock and vibration protected - Marine specifications-  
 Wide temperature range