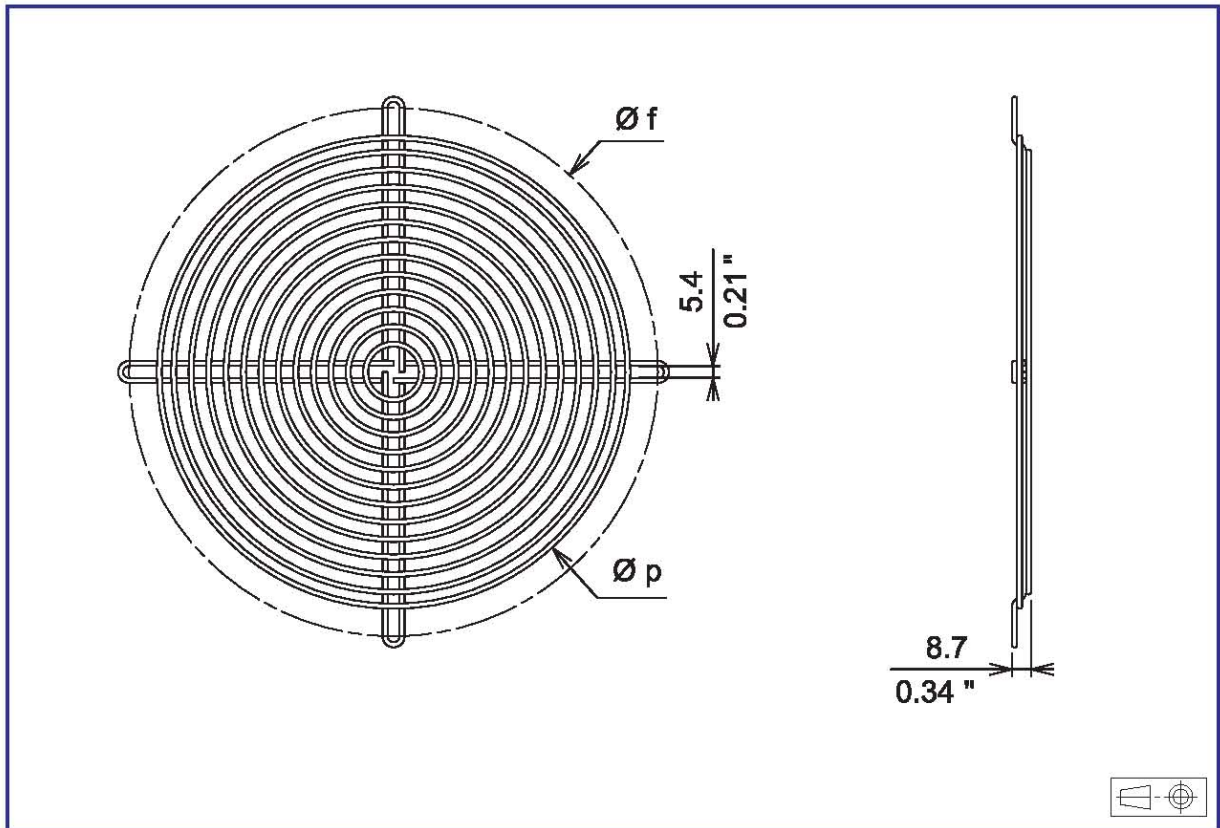


**BENEFITS :**

Effective protection : the maximum space between each ellipse of the finger guard respects the values of the norms in use.

**MATERIAL :**

Nickel-Chrome coated wires.



mm	Part number	For	øf	øp	ø Wires
	21360	RRE-INV Ø250 & Ø280 ; VGC 200 (Alu)	240	215	ø 2,3
	21369	VGC 250 (Alu)	295	278	ø 2,3

inches	Part number	For	øf	øp	ø Wires
	21360	RRE-INV Ø250 & Ø280 ; VGC 200 (Alu)	9,45	8,46	ø 0,09
	21369	VGC 250 (Alu)	11,61	10,94	ø 0,09